

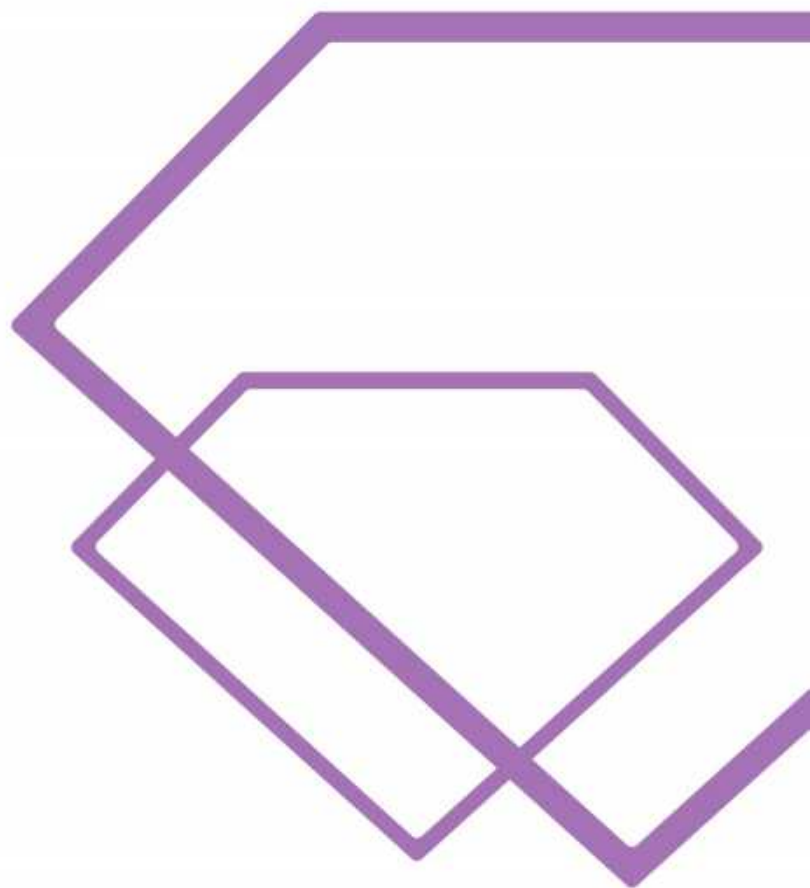
中国高端电脑缝纫机

CHINESE HIGH-END COMPUTERIZED SEWING MACHINE

HIKARI® 富山

零件手册

PARTS BOOK



HW782TA-

01X356UTD/AK 系列
Series

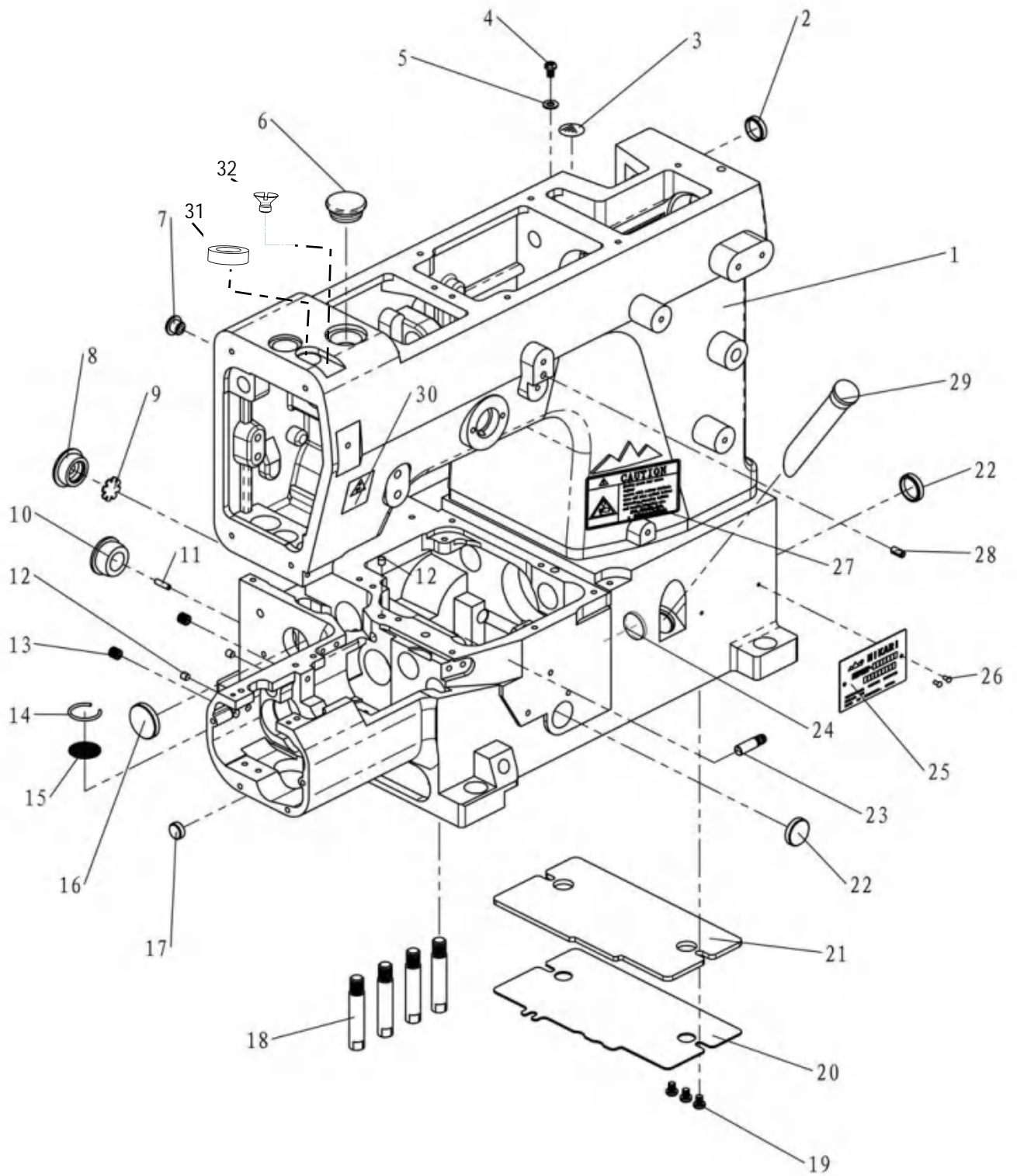
电脑直驱横筒自动剪线绷缝机

COMPUTER CYLINDER INTERLOCK SERIES

V1.00

目次	CONTENTS	PAGE
1 机壳部分-----	Machine Bed Frame-----	2~3
2 机壳外装件 I-----	Cover I-----	4~5
3 机壳外装件 II-----	Cover II-----	6~7
4 下轴传动部分-----	Crankshaft Drive Mechanism-----	8~9
5 上轴传动部分-----	Arm Drive Mechanism-----	10~11
6 针杆传动部分-----	Needle Bar Mechanism-----	12~13
7 弯针传动部分-----	Looper Drive Mechanism-----	14~15
8 送料传动部分 I-----	Feed Mechanism I-----	16~17
9 送料传动部分 II-----	Feed Mechanism II-----	18~19
10 送料传动部分 III-----	Feed Mechanism III-----	20~21
11 压布传动部分-----	Presser Foot Mechanism-----	22~23
12 喂针传动部分-----	Spreader Mechanism-----	24~25
13 夹线器部分-----	Thread Tension Mechanism-----	26~27
14 挑线、过线器部分-----	Needle Spreader Thread Handling-----	28~29
15 打线器部分-----	Looper Thread Mechanism-----	30~31
16 润滑部分 I-----	Lubrication Mechanism I-----	32~33
17 润滑部分 II-----	Lubrication Mechanism II-----	34~35
18 硅油装置部分-----	H、R、 Device-----	36~37
19 标准专用配件-----	Standard Specific Parts-----	38~39
20 安装部分-----	Installation Mechanism-----	40~41
21 附件部分 I-----	Accessories Part I-----	42~43
22 附件部分 II-----	Accessories Part II-----	44~45
23 放置式桌板-----	Non-submerged table-----	46~46
24 半沉式桌板-----	Semi-submerged table-----	47~47
25 开口式桌板-----	Open-submerged table-----	48~48
26 专用部分-----	Special part-----	49~85

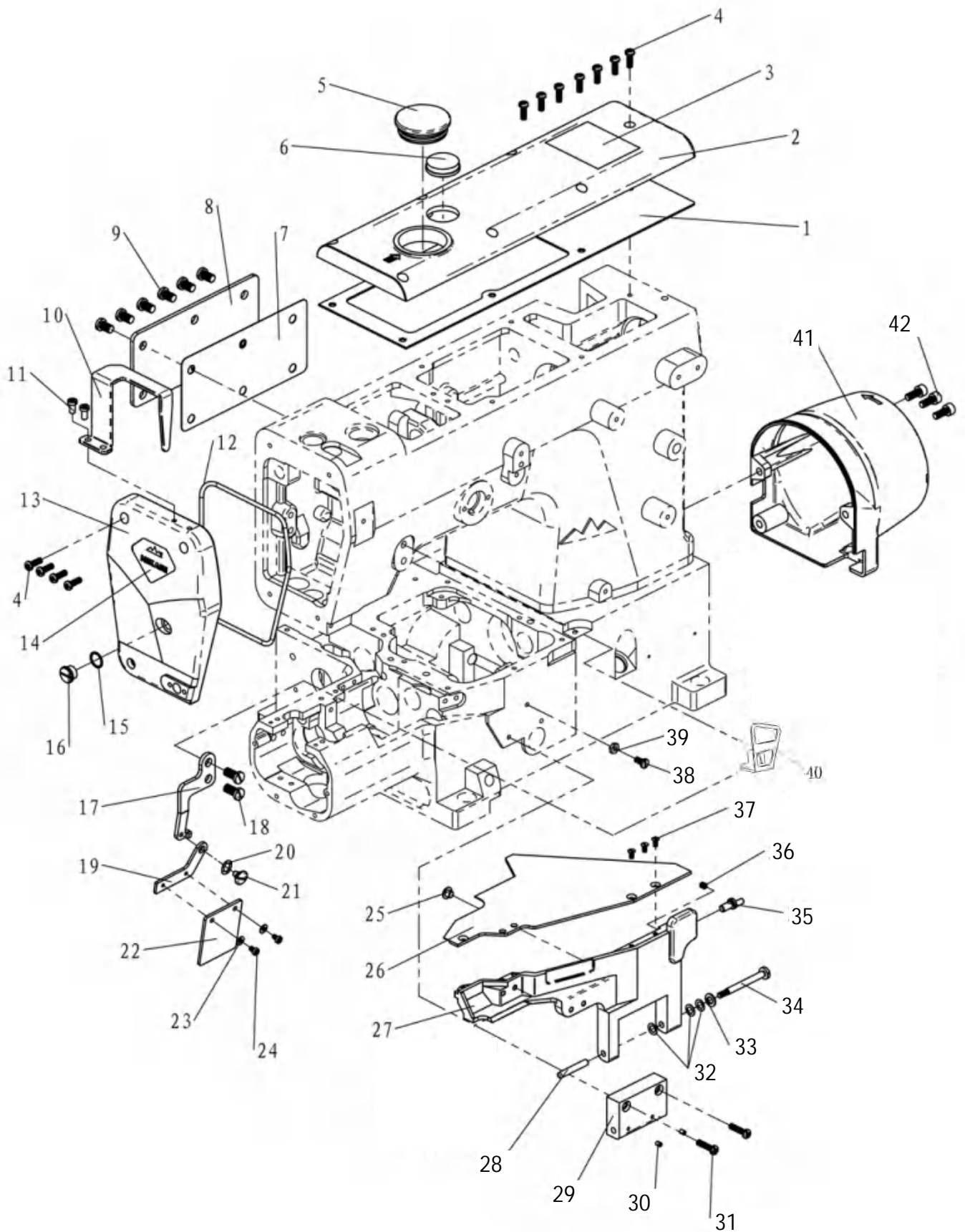
1 机壳部分 / Machine Bed Frame



1. 机壳部分/Machine Bed Frame

序号	图号	名称		数量	备注
		中文	英文		
1	351.01-01A	机壳组件	Machine Frame Unit	1	
2	22-15004000	油封	Oil Plug	1	
3	101.01-14	接地指示牌	Ground mark	1	
4	01-404000623-1	十字螺钉/M4×6	Screw	1	
5	05-043080900-4	垫片	Washer	1	
6	22-19807024	橡胶塞	Rubber Plug	1	
7	22-08005512	橡胶塞	Rubber Plug	1	
8	201.07-19	橡胶帽	Rubber Plug	1	
9	201.07-18	防油片	Oil Filter plate	1	
10	22-20809024	橡胶塞	Rubber Plug	1	
11	15-1301206-1	弹性圆柱销	Spring Pin	1	
12	351.01-04	销孔塞	Pin Plug	3	
13	01-806000614-1	止付螺钉/M6×6	Screw	2	
14	311.01-13	孔用弹簧	Ring	1	
15	311.01-12	油网	Oil Filter Net	1	
16	22-22004000	油塞	Oil Plug	1	
17	22-10004000	橡胶塞	Rubber Plug	1	
18	311.01-11	机壳支柱	Machine Frame Supporting Bar	4	
19	01-404000523-1	螺钉/M4×5	Screw	3	
20	351.01-06	挡油板	Dust Proof Cover	1	
21	351.01-07	挡油板海绵垫	Dust Proof Sponge	1	
22	22-17004000	油塞	Oil Plug	2	
23	351.01-05	下主轴油管接头	Oil Tube Joint	1	
24	22-17405000	橡胶塞	Rubber Plug	1	
25	H0-004	综合型号牌	Model Plate	1	
26	17-3200500-5	铆钉	Rivet	2	
27	101.01-13	安全指示牌	Safety-indicating	1	
28	15-1400808-1	弹性销	Spring Pin	1	
29	351.01-02	油标	Oil Sight Window	1	
30	201.02-10	安全标识	Safety-indicating	1	
31	311.06-18	针杆油封压板	Needle bar oil seal plate	1	
32	01-104000621-1	螺钉/M4×6	Screw	1	

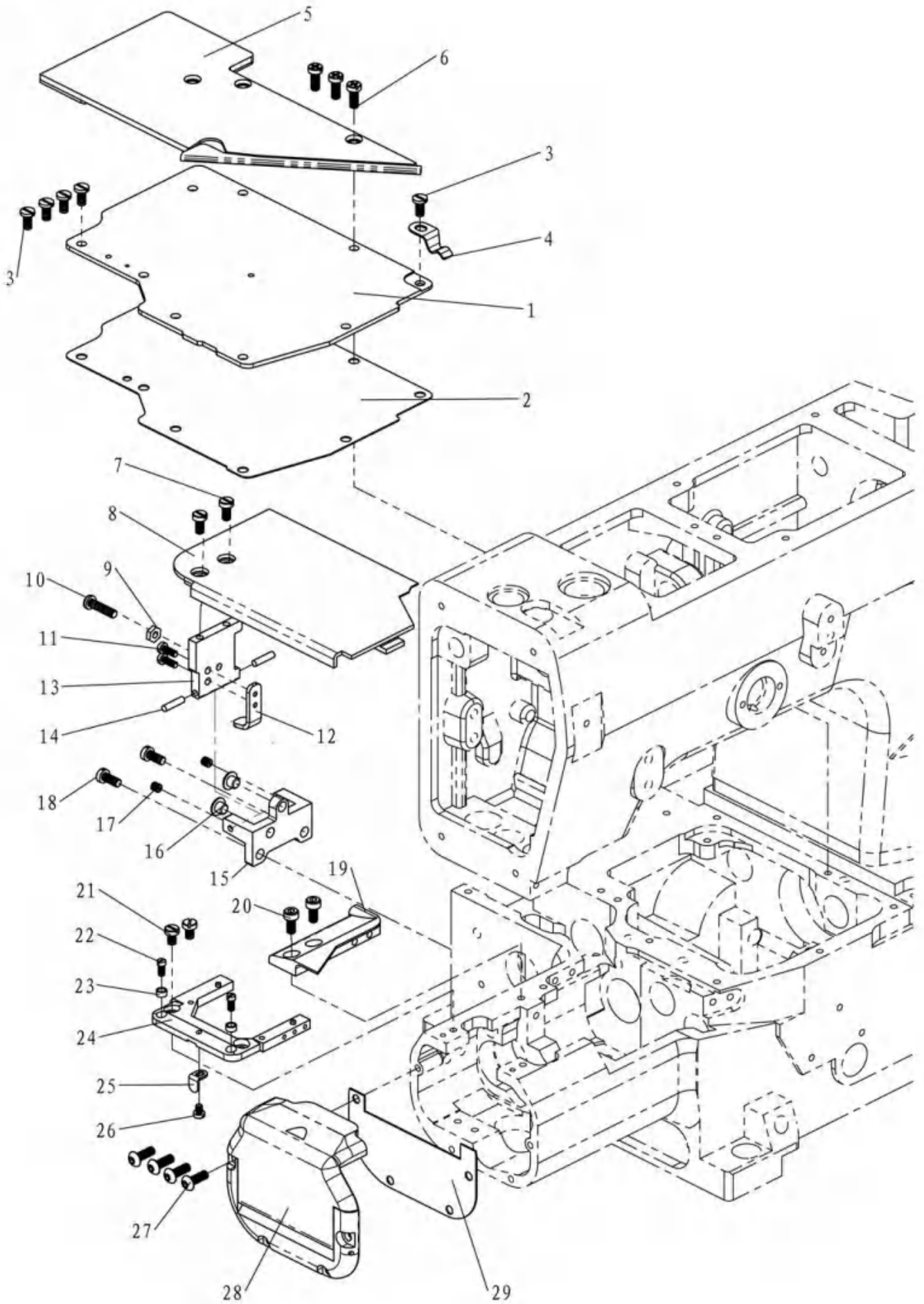
2 机壳外装件 /Cover



2. 机壳外装件I/Cover I

序号	图号	名称		数量	备注
		中文	英文		
1	351.02-02	上盖板密封垫	Top Cover Gasket	1	
2	351.02-01A	上盖板	Top Cover	1	
3	311.02-08	警告标签	Caution Label	1	
4	01-404001223-1	螺钉/M4×12	Screw	11	
5	22-37009041	注油孔堵	Rubber Plug	1	
6	201.02-04	油窗	Oil Sight Window	1	
7	351.02-05	后盖板密封垫	Rear Cover Gasket	1	
8	351.02-06	后盖板	Rear Cover	1	
9	01-506001021-1	螺钉/M6×10	Screw	6	
10	351.02-16	挑线杆护罩	Needle Bar Cover	1	
11	01-404000823-1	螺钉/M4×8	Screw	2	
12	351.02-04	面板油封垫	Front Cover Gasket	1	
13	351.02-03A	前面板	Front Cover	1	
14	H0-001	富山标牌	Plate Agsket	1	
15	311.02-02	面板堵油螺钉垫	Washer	1	
16	311.02-01G	面板堵油螺钉	Screw	1	
17	311.02-16A	护目镜安装架	Safety Plate Holderl	1	
18	01-506001221-1	螺钉/M6×12	Screw	2	
19	311.02-17A	护目镜调整架	Safety Plate Holderll	1	
20	08-0700311-1	碟形垫圈	Elastic Washer	1	
21	201.03-08	台阶螺钉	Screw	1	
22	311.02-18	防护镜	Safety Plate	1	
23	05-032050700-1	垫片	Washer	2	
24	01-503000521-1	螺钉/M3×5	Screw	2	
25	22-05004009	橡胶塞	Rubber Plug	1	
26	351.02-10A	前罩板上盖	Top Cover	1	
27	351.02-08A	前罩板	Front Cover	1	
28	311.03-13-02	前罩板连接销轴	Pin	1	
29	351.02-09	前罩板固定块	Front Cover Hinge	1	
30	01-803000314-1	止付螺钉/M3×3	Screw	2	
31	01-404001623-1	螺钉/M4×16	Screw	2	
32	09-0520309-1	碟形弹性垫片	Elastic Disk Washer	3	
33	05-056101000-4	平垫片	Washer	1	
34	311.19-01-02	轴销螺钉	Bolt	1	
35	351.02-11	偏心销	Eccentric Pin	1	
36	01-804000414-1	止付螺钉/M4×4	Screw	1	
37	01-103000621-1	沉头螺钉	Screw	3	
38	01-604000821-1	螺钉/M4×8	Screw	1	
39	03-604000220-1	螺母/M4	Nut	1	
40	311.02-11A	挑线护罩	Thread Takup Cover	1	
41	351.02-13	电机罩	Motor Cover	1	
42	01-505001224-1	窝头螺钉/M5×12	Screw	3	

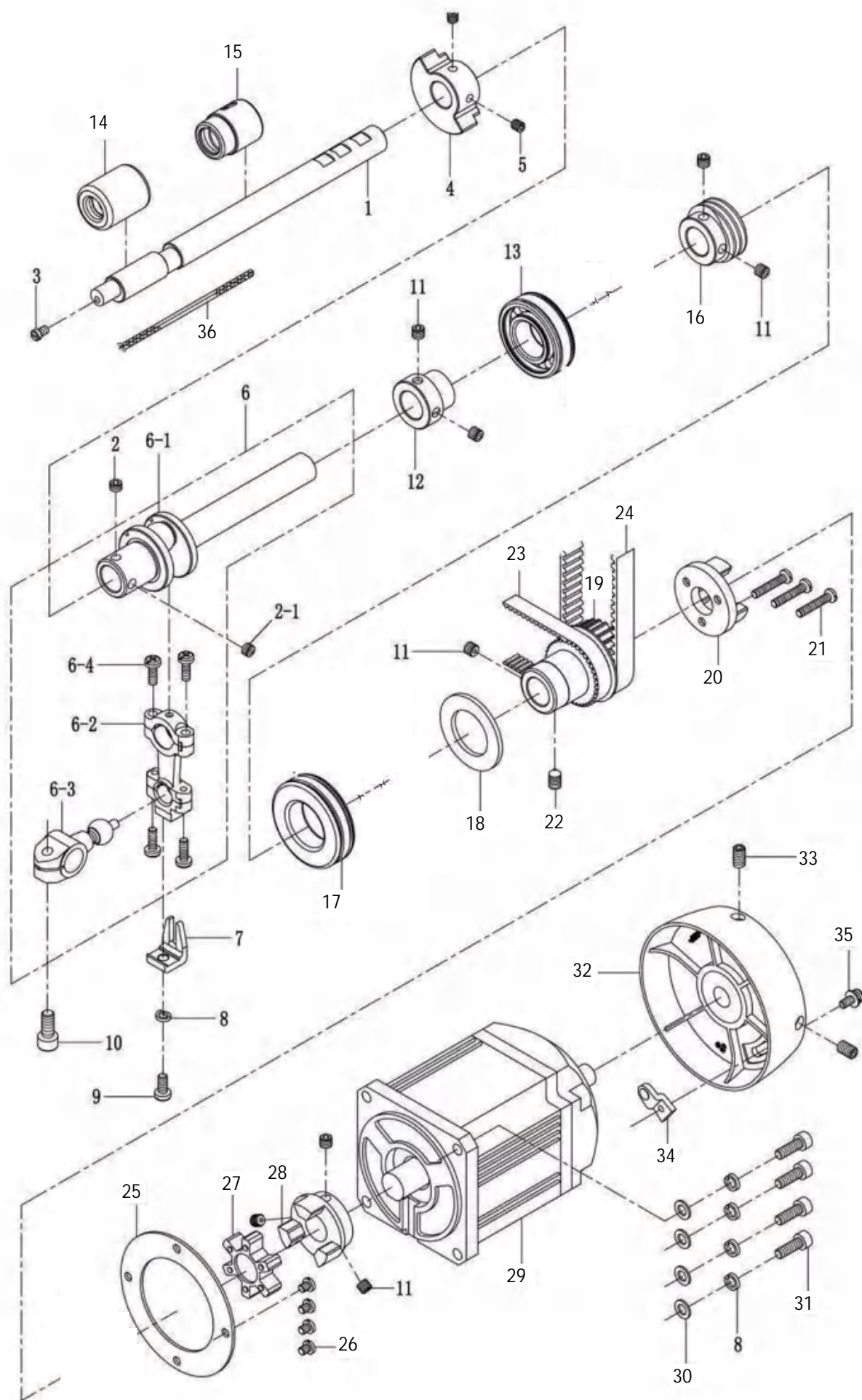
3. 机壳外装件 II / Cover II



3. 机壳外装件I1/Cover11

序号	图号	名称		数量	备注
		中文	英文		
1	351.03-01	底座盖板	Bed Cover Plate	1	
2	351.03-02A	底座盖板密封垫	Bed Cover Gaskte	1	
3	01-604000821-1	螺钉/M4×8	Screw	5	
4	351.03-03	前罩板固定簧	Spring Patch	1	
5	351.03-05A	机壳底座右盖板组件	Machine Bed Right Cover, C. Set	1	
6	01-404001023-1	螺钉/M4×10	Screw	3	
7	01-504000821-1	螺钉/M4×8	Screw	2	
8	351.03-23	底座左盖板组件	Bed Caver Plate C. set	1	
9	03-604000220-1	螺母	Nut	1	
10	01-404001623-1	螺钉/M4×16	Screw	1	
11	01-503000821-1	螺钉/M3×8	Screw	2	
12	351.03-22	支撑板	Suppert Plate	1	
13	351.03-24	底座左盖板架	Bed Left Cover Plate Frame	1	
14	16-1030141-5	盒盖底座翻板连接轴销	Pin	2	
15	351.03-19	底座左盖板座	Bed Left Cover Plate Bed	1	
16	22-05004009	防震垫	Cushion Rubber	2	
17	01-804000414-1	螺钉/M4×4	Screw	2	
18	01-504001021-1	螺钉/M4×10	Screw	2	
19	351.03-07A	挡块	Brock	1	
20	01-504000824-1	螺钉	Screw	2	
21	01-504000621-1	螺钉	Screw	2	
22	01-903000621-1	螺钉	Screw	2	
23	351.03-21	针板架定位套	Positioning Bushing	2	
24	351.03-08A	针板架组件	Stitch Plate Support	1	
25	351.03-20	磁铁吸板	Magnet Plate	1	
26	01-503000421-1	螺钉	Screw	1	
27	01-304000824-1	螺钉	Screw	4	
28	351.03-10A	底座侧盖及缝台组件	Bed. Side Cover	1	
29	351.03-11A	侧盖密封垫	Gasket	1	

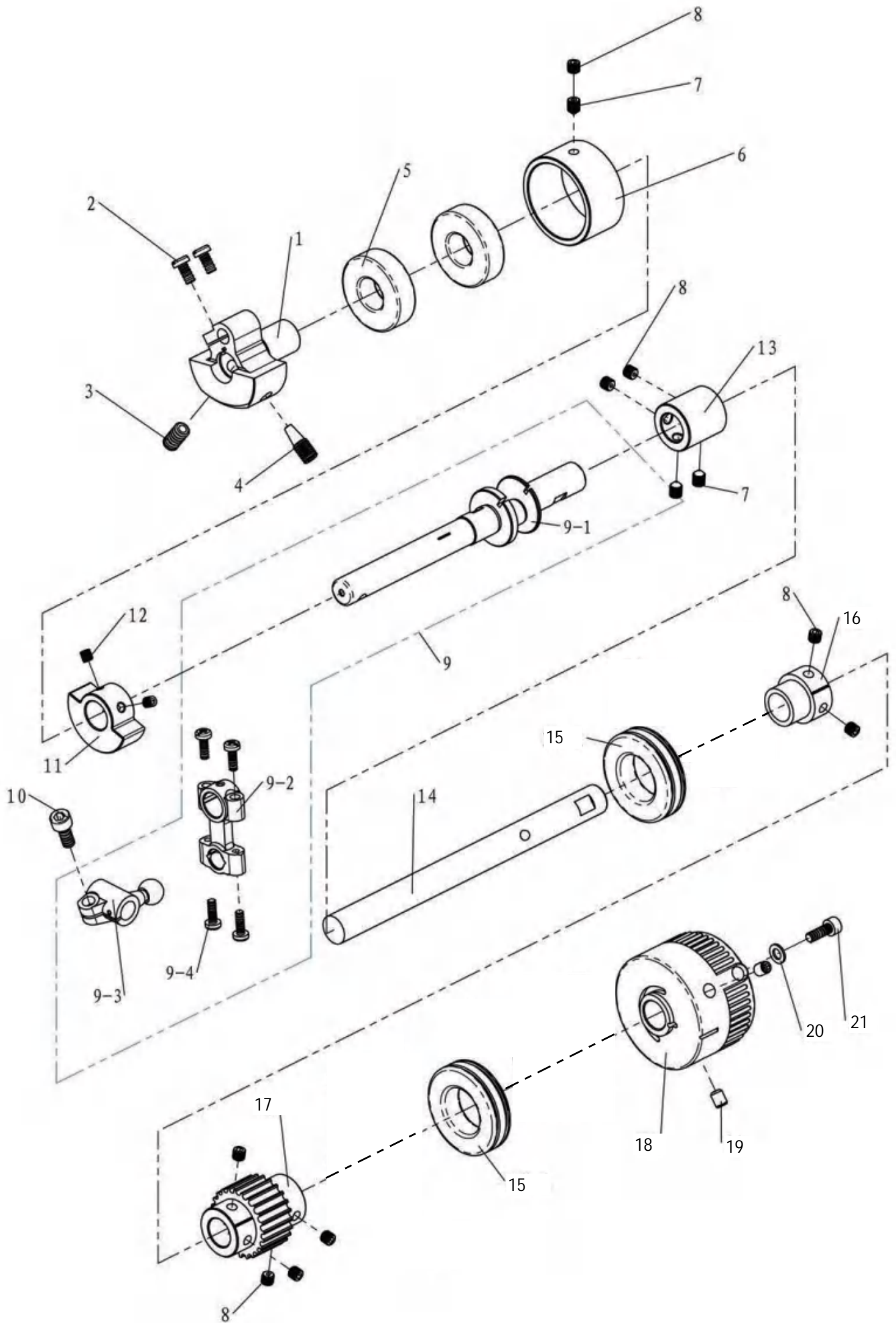
4. 下轴传动部分 /Crankshaft Drive Mechanism



4. 下轴传动部分/Crankshaft Drive Mechanism

序号	图号	名称		数量	备注
		中文	英文		
1	351.04-01	偏心轴	Eccentric Shaft	1	
2	01-806750414-1	止付螺钉/M6×0.75×4	Screw	1	
2-1	01-806750411-1	螺钉/M6×0.75×4	Screw	1	
3	01-904000421-1	螺钉/M4×4	Screw	1	
4	351.04-02	偏心轴配重块	Balance Weight	1	
5	01-805000514-1	止付螺钉/M5×5	Screw	2	
6	351.04-03	下曲柄轴连杆组件	Crank Shaft, C. Set	1	
6-1	351.04-03-01	下曲柄轴	Crank Shaft	(1)	
6-2	351.04-03-02	球连杆	Connecting Rod	(1)	
6-3	351.04-03-03	球曲柄	Crank	(1)	
6-4	01-404001223-1	螺钉/M4×12	Screw	(4)	
7	311.04-05	比叉	Crank Guide Block	1	
8	07-0521313-1	弹簧垫圈	Spring Washer	5	
9	02-511401021-1	螺钉	Screw	1	
10	01-506751424-1	窝头螺钉/M6×0.75×14	Screw	1	
11	01-806750514-1	止付螺钉/M6×0.75×5	Screw	8	
12	351.04-04	轴承衬套	Bearing Bushing	1	
13	14-6004-2RS/1	滚珠轴承(带O形圈)	Bearing	1	
14	351.04-05	偏心轴前套筒	Bushing	1	
15	351.04-06	偏心轴后套筒	Bushing	1	
16	351.04-07	蜗杆	Worm	1	
17	14-6005-DV/1	滚珠轴承(带O形圈)	Bearing	1	
18	05-250254103-5	垫片	Washer	1	
19	351.04-08	下曲轴同步带轮组件	Timing Gear, C. Set	1	
20	351.04-09-00	下曲轴联轴器	Crank Shaft-Coupling	1	
21	01-605001121-1	螺钉/M5×11	Screw	3	
22	01-806750844-1	止付螺钉/M6×0.75×8	Screw	1	
23	351.04-11A	同步带HTD210-3M	Timing Belt	1	
24	351.04-12A	同步带 HTD550-5GT	Timing Belt	1	
25	351.04-13	轴承盖板	Bearing Cover	1	
26	01-604000521-1	螺钉/M4×5	Screw	4	
27	351.04-14	联轴器缓冲垫	Coupling Cushion	1	
28	351.04-15	电机联轴器	Motor-Coupling	1	
29	M0-09B-650	伺服电机	Servo Motor	1	
30	05-056101000-4	平垫片	Washer	4	
31	01-505001824-1	窝头螺钉/M5×18	Screw	4	
32	311.04-25	手轮组件	Motor Wheel	1	
33	02-815281014-1	手轮组件螺钉	Screw	2	
34	103.13-107	磁钢座组件	Magnet Bracket	1	
35	18-404000823-3	三件套螺钉M4×8	Screw	1	
36	351.04-16	油线	Oil-Wick	1	

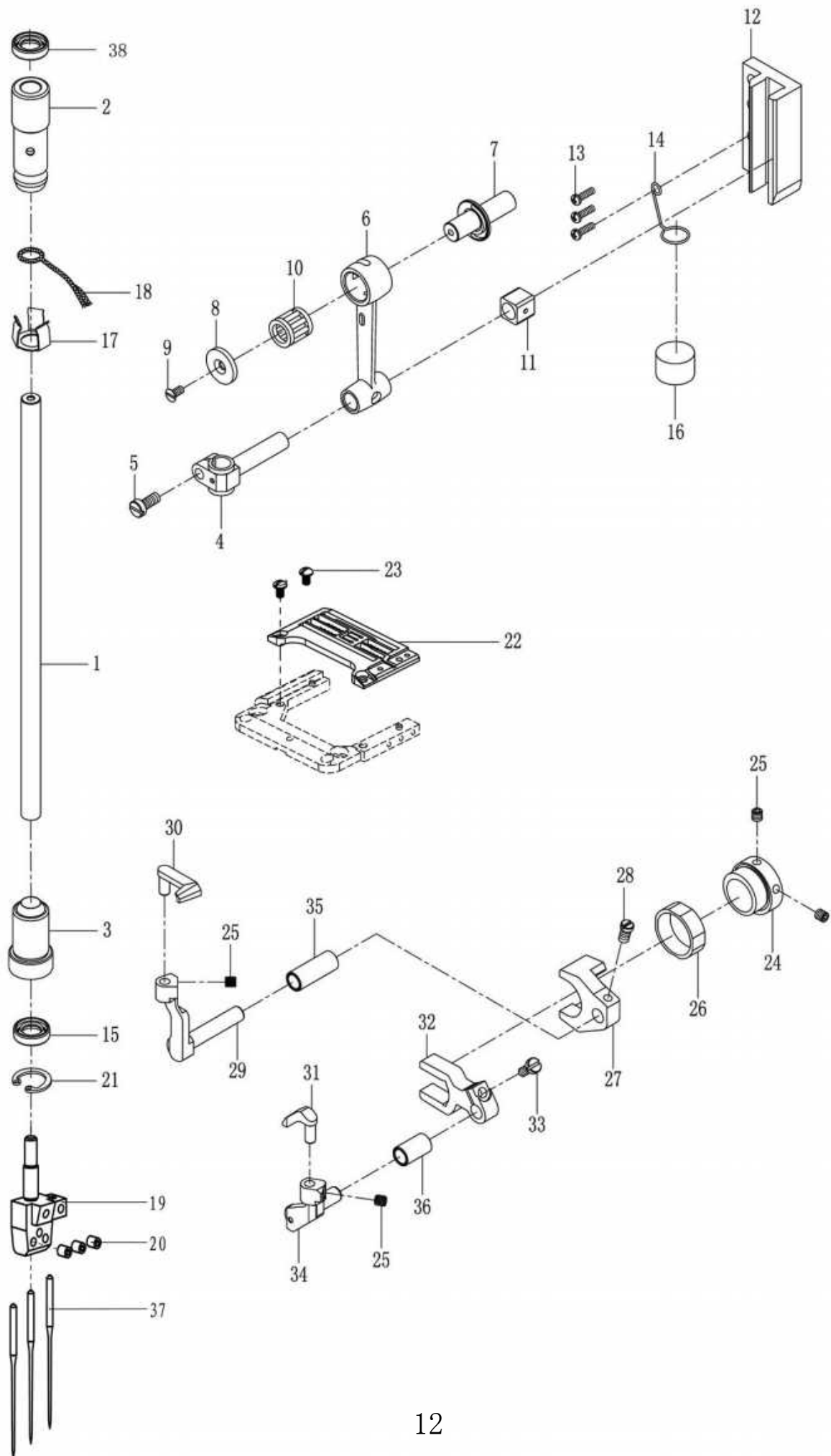
5. 上轴传动部分 / Arm Shaft Mechanism



5. 上轴传动部分/Arm Shaft Mechanism

序号	图号	名称		数量	备注
		中文	英文		
1	351.05-01	针杆曲柄	Needle Bar Crank	1	
2	01-505001021-1	螺钉/M5×10	Screw	2	
3	01-808101514-1	止付螺钉/M8×15	Screw	1	
4	01-808102034-1	螺钉/M8×20	Screw	1	
5	14-6203-2Z	滚珠轴承	Bearing	2	
6	311.05-02	上轴前轴承套	Bearing Bushing	1	
7	01-806750844-1	止付螺钉/M6×0.75×8	Screw	4	
8	01-806750514-1	止付螺钉/M6×0.75×5	Screw	10	
9	351.05-02	上曲轴连杆组件	Upper Crank Shaft, C. Set	1	
9-1	351.05-02-01	上曲轴	Upper Crank Shaft	(1)	
9-2	351.05-02-02	挑线球连杆	Connecting Rod	(1)	
9-3	351.05-02-03	挑线球曲柄	Crank	(1)	
9-4	01-404001223-1	螺钉/M4×12	Screw	(4)	
10	01-506751424-1	窝头螺钉/M6×0.75×14	Screw	1	
11	311.05-07	上轴配重块	Balance Weight	1	
12	01-805000514-1	止付螺钉/M5×5	Screw	2	
13	311.04-11	连轴器	Connecting Shaft Bushing	1	
14	351.05-03G	上轴	Upper Shaft	1	
15	14-6204-2RS/1/15	滚珠轴承(带O形圈)	Bearing	2	
16	311.05-09	轴承衬套	Bearing Bushing	1	
17	351.05-04	同步带轮-24齿	Timing Gear	1	
18	351.05-05	手轮	Handwheel	1	
19	01-806000814-1	止付螺钉/M6×8	Screw	2	
20	05-056101000-4	平垫片	Washer	1	
21	01-505001424-1	窝头螺钉/M5×14	Screw	1	

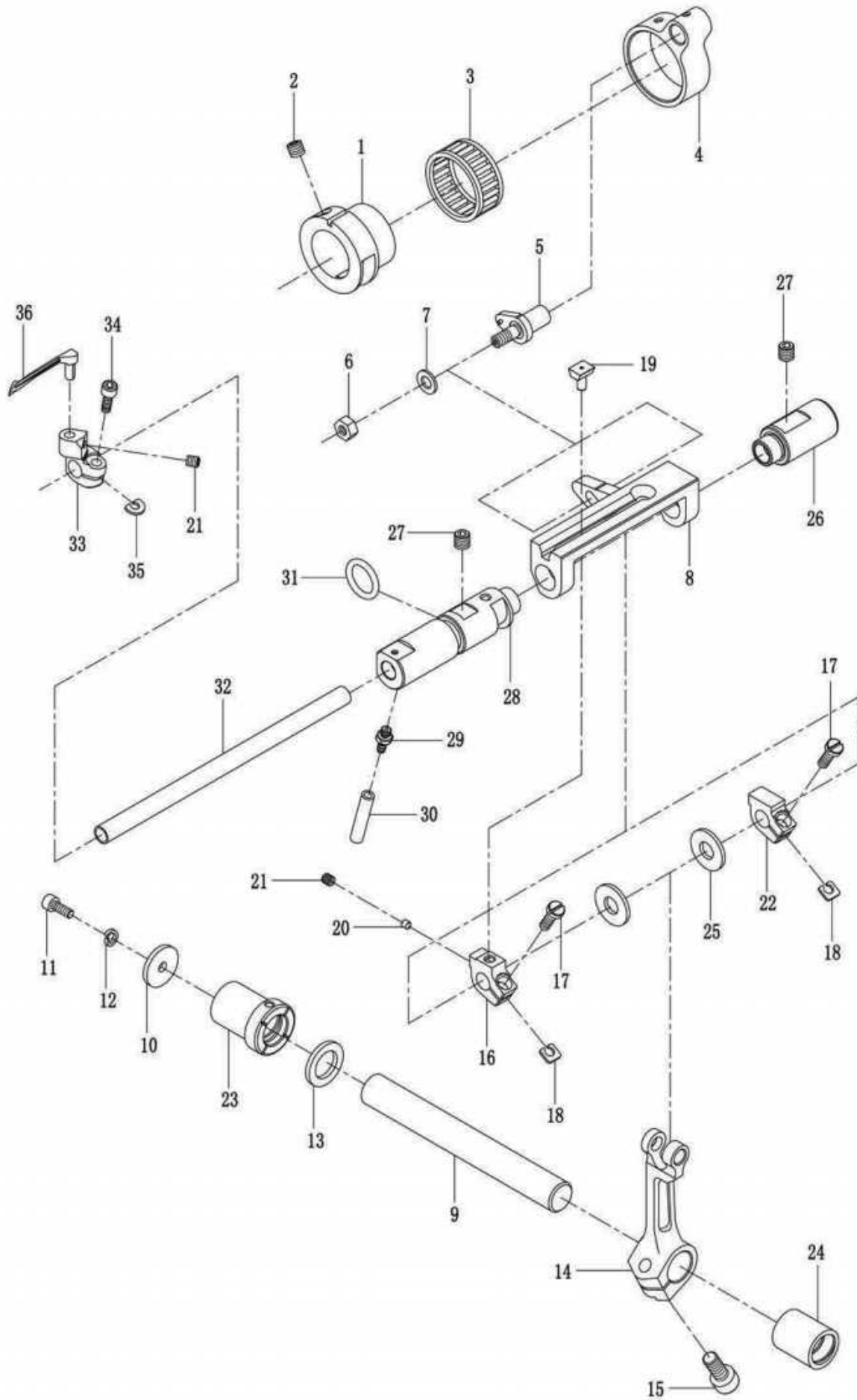
6. 针杆传动部分/Needle Bar Mechanism



6. 针杆传动部分/Needle Bar Mechanism

序号	图号	名称		数量	备注
		中文	英文		
1	351.06-01	针杆	Needle Bar	1	
2	311.06-04A	针杆上套	Bushing	1	
3	311.06-01G	针杆下套筒	Bushing	1	
4	351.06-19	针杆扎头	Needle Bar Clamp	1	
5	01-504001021-1	螺钉/M4×10	Screw	1	
6	351.06-04	针杆连杆	Connecting Rod	1	
7	351.06-05	偏心销	Eccentric Pin	1	
8	351.06-06	垫圈	Washer	1	
9	01-103000621-1	沉头螺钉/M3×6	Screw	1	
10	14-K81212	滚针轴承	Needle Bearing	1	
11	311.06-09	针杆连杆滑块	Slide Block	1	
12	351.06-07	针杆滑块导轨	Slide Block Orbit	1	
13	01-404001223-1	螺钉/M4×12	Screw	3	
14	351.06-08	油毡卡簧	Latch	1	
15	13-07040140A	油封	Oil Seal	1	
16	311.06-12	海棉	Sponge	1	
17	311.06-02	针杆油线卡簧	Oil Wick Retainer	1	
18	311.06-03	针杆油线	Oil Wick, C. Set	1	
19	311.06-16G-356	针夹	Needle Clamp	1	
20	01-803000314-1	止付螺钉/M3×3	Screw	3	
21	11-1511017-1	孔用弹性挡圈	Ring	1	
22	351.06-20BS-356	针板	Needle Plate	1	
23	01-303000521-2	开槽半圆头螺钉M3×5	Screw	2	
24	351.06-09	偏心轮	Eccentric Wheel	1	
25	01-804000414-1	止付螺钉/M4×4	Screw	4	
26	351.06-10	叉杆滑块	Side Block	1	
27	351.06-11	后摆动叉杆	Rear-Lever	1	
28	01-904000711-1	螺钉/M4×7	Screw	1	
29	351.06-12	后护针挡座	Needle Guard Bracket-Rear	1	
30	351.06-13	后护针挡	Needle Guard-Rear	1	
31	351.06-14	前护针挡	Needle Guard-Front	1	
32	351.06-15	前摆动叉杆	Front-Lever	1	
33	01-535000821-1	螺钉/M3.5×8	Screw	1	
34	351.06-16	前护针挡座	Needle Guard Bracket-Front	1	
35	351.06-17	后护针挡座套筒	Bushing	1	
36	351.06-18	前护针挡座套筒	Bushing	1	
37	311.06-17	机针	Needle	3	
38	13-07040140A	骨架油封	Oil Seal	1	

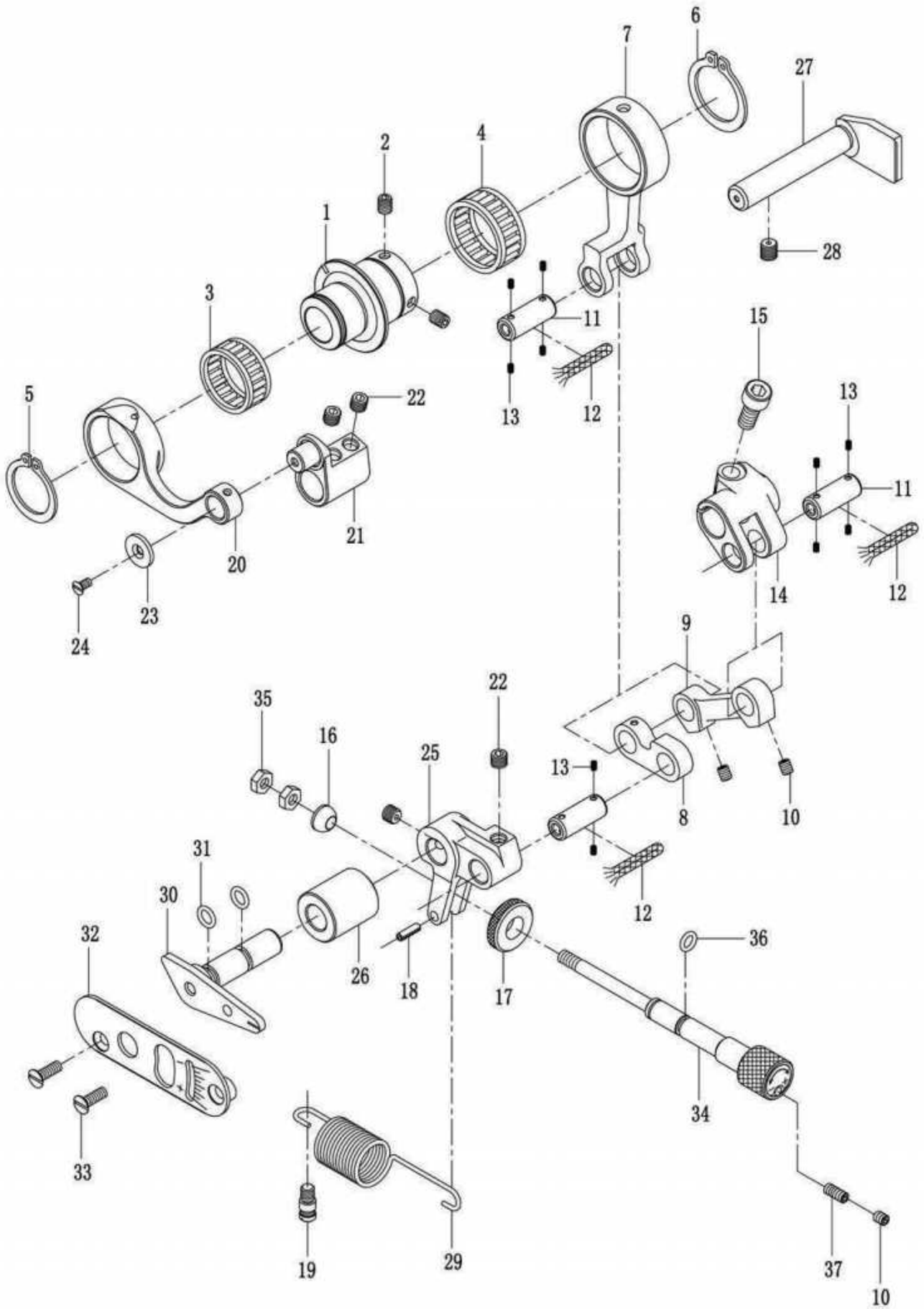
7. 弯针传动部分/Looper Drive Mechanism



7. 弯针传动部分/Looper Drive Mechanism

序号	图号	名称		数量	备注
		中文	英文		
1	351.07-01	偏心轮	Eccentric Wheel	1	
2	01-806750514-1	止付螺钉/M6×0.75×5	Screw	1	
3	14-K263013	滚针轴承	Needle Bearing	1	
4	351.07-02	偏心轮连杆	Connecting Rod	1	
5	351.07-03	插销组件	Pin Assembly	1	
6	03-605000400-1	螺母/M5	Nut	1	
7	05-053101001-5	垫圈	Washer	1	
8	351.07-04A	弯针轴座	Looper Shaft Bracket	1	
9	351.07-05	弯针摆动轴	Rocker Shaft	1	
10	05-042201752-5	平垫片	Washer	1	
11	01-504001024-1	窝头螺钉/M4×10	Screw	1	
12	07-04211111-1	弹性垫圈	Spring Washer	1	
13	05-131201903-5	平垫片	Washer	1	
14	351.07-06	弯针轴摆臂	Looper Rocker Arm	1	
15	01-506751424-1	窝头螺钉/M6×0.75×14	Screw	1	
16	351.07-07A	滑块固定座	Silder Holder	1	
17	01-504001221-1	螺钉/M4×12	Screw	2	
18	351.07-08	垫片	Washer	2	
19	351.07-09A	滑块	Silder	1	
20	351.07-10	滑块压块	Silder Presser	1	
21	01-804000414-1	止付螺钉/M4×4	Screw	2	
22	351.07-11A	摆臂夹	Rocker Arm Holder	1	
23	351.07-12	摆臂轴后套筒	Bushing	1	
24	351.07-13	摆臂轴前套筒	Bushing	1	
25	351.07-22A	平垫片	Washer	2	
26	351.07-14	弯针轴-右套筒	Looper Bar Bushing-Right	1	
27	01-806000614-1	止付螺钉/M6×6	Screw	2	
28	351.07-15A	弯针轴-左套筒	Looper Bar Bushing-Left	1	
29	351.07-16	油管接头	Oil Tube Joint	1	
30	103.08-36-1-4A	油管	Oil Tube	1	
31	12-125240	O型密封圈	O-Ring	1	
32	351.07-18C	弯针轴	Looper Bar	1	
33	351.07-19	弯针固定座	Looper Holder	1	
34	01-535001024-1	窝头螺钉/M3.5×10	Screw	1	
35	351.07-20	垫片	Washer	1	
36	351.07-21A	弯针	Looper	1	

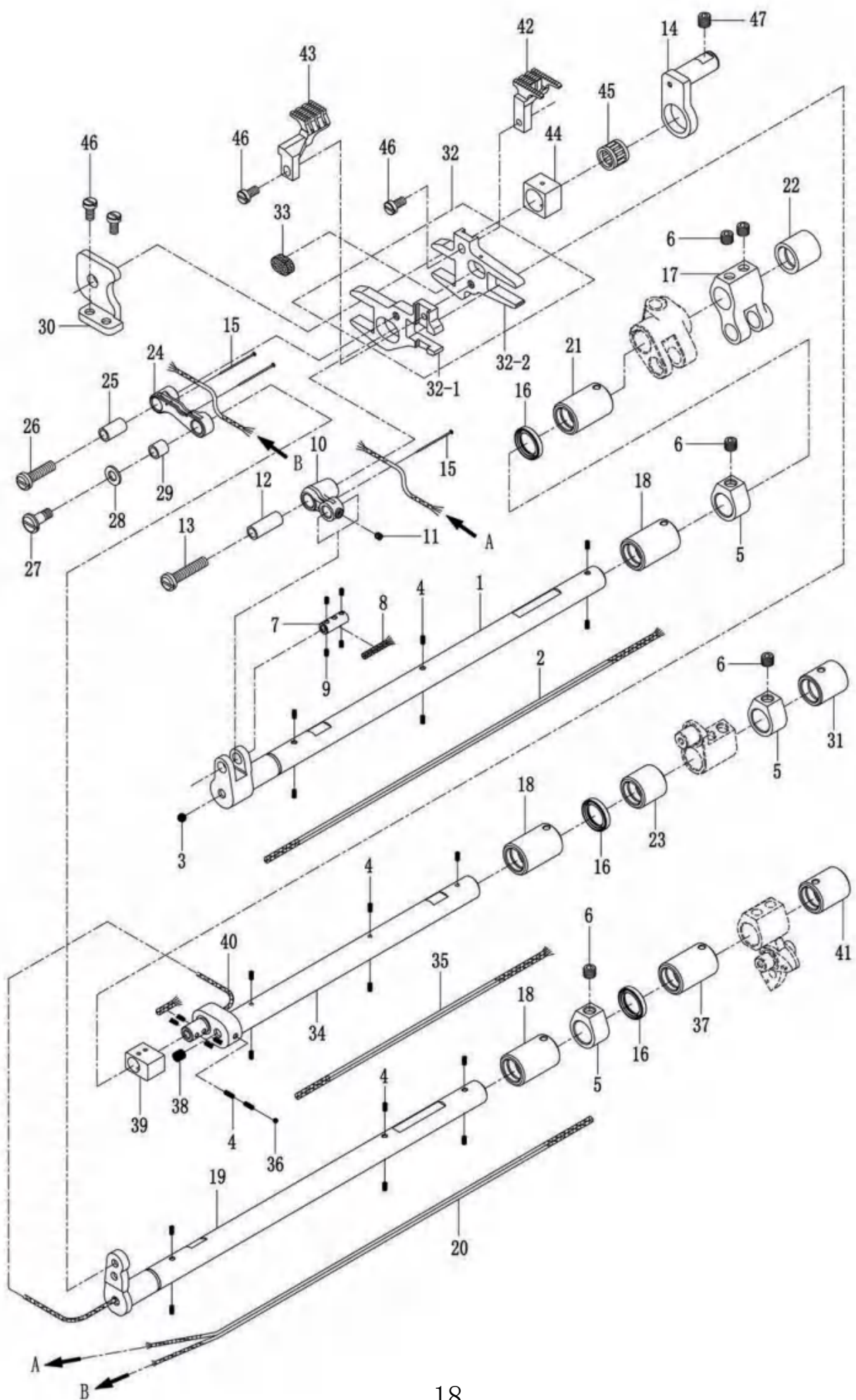
8. 送料传动部分 I / Feed Mechanism I



8. 送料传动部分I/Feed Mechanism I

序号	图号	名称		数量	备注
		中文	英文		
1	351.08-01	送料偏心轮	Eccentric Wheel	1	
2	01-805000614-1	止付螺钉/M5×6	Screw	2	
3	14-K222611	滚针轴承	Needle Bearing	1	
4	14-K252913	滚针轴承	Needle Bearing	1	
5	10-2051020-1	卡环	Ring	1	
6	10-2321220-1	卡环	Ring	1	
7	351.08-04	送料传动连杆	Connecting Rod	1	
8	351.08-05	左联结块	Left-Link	1	
9	351.08-06	右联结块	Right-Link	1	
10	01-804000514-1	止付螺钉/M4×5	Screw	3	
11	351.08-07	连杆销轴	Connecting Rod Pin	3	
12	311.12-08	油线	Oil Wick	3	
13	311.09-03	油毡	Oil Felt	10	
14	351.08-08	送料曲柄	Feed Crank	1	
15	01-506751424-1	窝头螺钉/M6×0.75×14	Screw	1	
16	351.08-09	衬垫	Liner	1	
17	351.08-10	拧紧螺帽	Lock Nut	1	
18	15-1301206-1	弹性销	Spring Pin	1	
19	351.08-12	弹簧固定销	Pin	1	
20	351.08-13	摆动连杆	Connecting Rod	1	
21	351.08-14	摆动曲柄	Rocker Crank	1	
22	01-806750514-1	止付螺钉/M6×0.75×5	Screw	4	
23	351.08-15	垫圈	Washer	1	
24	01-103000621-1	沉头螺钉/M3×6	Screw	1	
25	351.08-16A	送料联结架	Feed Link Bracket	1	
26	351.08-17	指示轴套筒	Bushing	1	
27	351.08-18	连杆挡板	Connecting Rod Guide	1	
28	01-806000614-1	止付螺钉/M6×6	Screw	1	
29	351.08-19	拉伸弹簧	Spring	1	
30	351.08-20A	送料指示轴	Lever Shift	1	
31	12-068180	O型密封圈	O-Ring	2	
32	351.08-21	针距尺寸刻度板	Feed Graduations	1	
33	01-104001221-1	沉头螺钉/M4×12	Screw	2	
34	351.08-22A	送料调节螺杆	Regulation Screw	1	
35	03-605000400-1	螺母/M5	Nut	2	
36	12-050150	O型密封圈	O-Ring	1	
37	01-804001014-1	止付螺钉/M4×10	Screw	1	

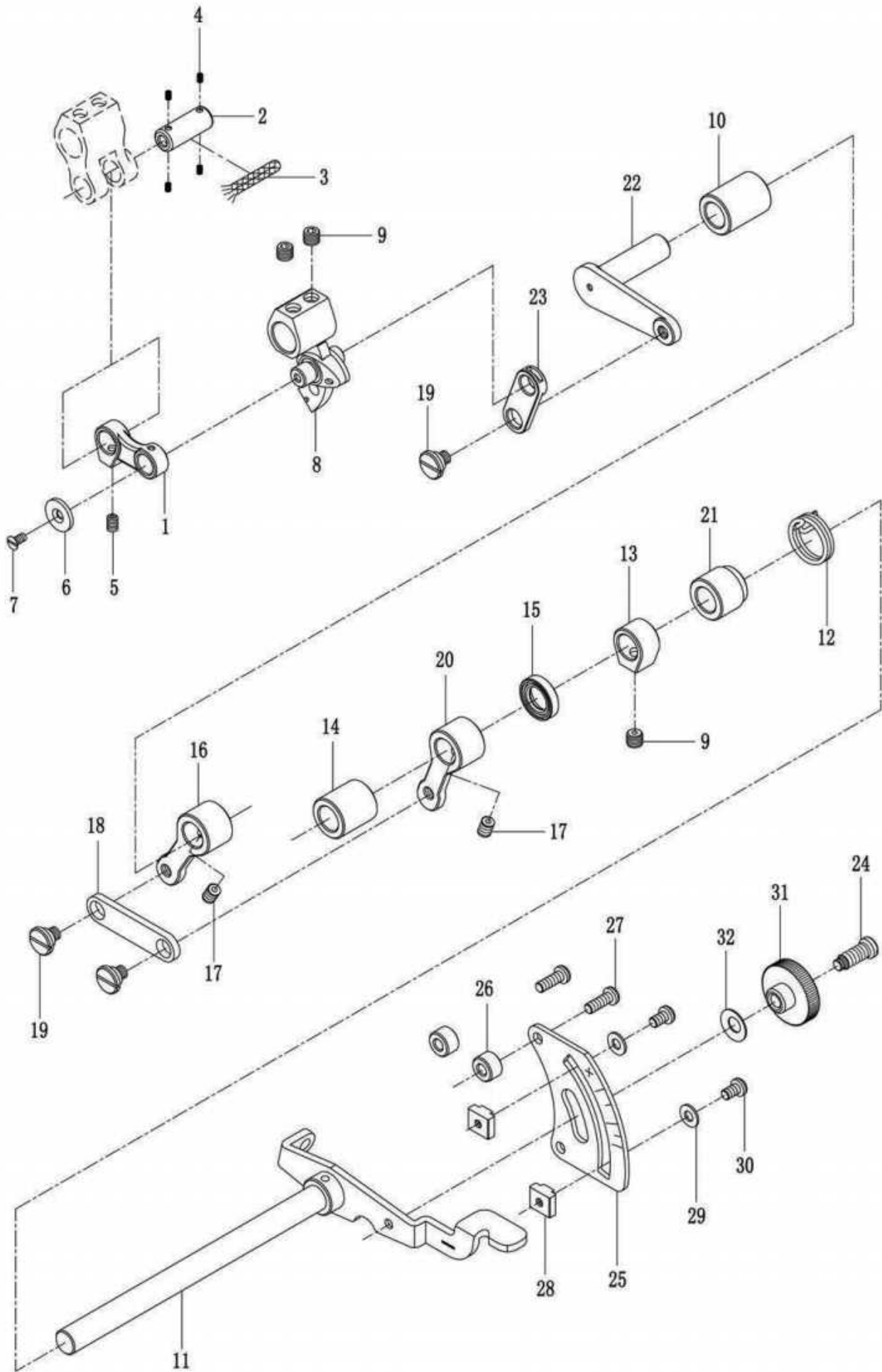
9 送料传动部分 / Feed Mechanism



9. 送料传动部分II/Feed Mechanism II

序号	图号	名称		数量	备注
		中文	英文		
1	351.09-01	送料曲柄轴	Feed Crank Shaft	1	
2	351.09-02	油线	Oil Wick	1	
3	351.09-03	球塞	Ball Plug	1	
4	351.09-04	油毡	Oil Felt	23	
5	351.09-05	轴固	Shaft Collar	3	
6	01-806750514-1	止付螺钉/M6×0.75×5	Screw	5	
7	351.09-06	连杆销轴	Link Pin	1	
8	311.12-08	油线	Oil Wick	1	
9	311.12-07	油毡	Oil Felt	4	
10	351.09-07A	主牙叉连杆	Main Feed Bar Link	1	
11	01-803000444-1	止付螺钉/M3×4	Screw	1	
12	351.09-08	连杆衬套I	Link BushingI	1	
13	01-505002421-1	螺钉/M5×24	Screw	1	
14	351.09-09	牙叉右挡板	Feed Bar Guide-Right	1	
15	201.20-13	线钉	Tack	3	
16	13-11730170	油封	Oil Seal	3	
17	351.09-10	送料曲柄	Feed Crank	1	
18	351.09-11	曲柄轴前套筒	Bushing	3	
19	351.09-12C	差动送料曲柄轴	Differential Feed Crank Shaft	1	
20	351.09-13	油线	Oil Wick	1	
21	311.12-18	曲柄轴中套筒	Bushing	1	
22	351.09-15	曲柄轴后套筒	Bushing	1	
23	351.09-16	摆动轴中套筒	Bushing	1	
24	351.09-17	差动牙叉连杆	Differential Feed Bar Link	1	
25	351.09-18	连杆衬套II	Link BushingII	1	
26	01-505001821-1	螺钉/M5×18	Screw	1	
27	351.09-19	台阶螺钉/M5	Screw	1	
28	05-053101001-5	垫圈	Washer	1	
29	351.09-20	连杆衬套III	Link BushingI	1	
30	351.09-21A	牙叉左挡板	Feed Bar Guide-Left	1	
31	351.09-22	摆动轴后套筒	Bushing	1	
32	351.09-14A	送料牙叉组件	Feed Bar Assembly	1	
32-1	351.09-14-01A	差动送料牙叉	Differential Feed Bar	1	
32-2	351.09-14-02A	主送料牙叉	Main Feed Bar	1	
33	351.09-25	油毡	Oil Felt	1	
34	351.09-26	送料摆动轴	Feed Rocker Shaft	1	
35	351.09-27	油线	Oil Wick	1	
36	351.09-28	球塞	Ball Plug	1	
37	351.09-30	差动曲柄轴中套筒	Bushing	1	
38	351.09-31	油毡	Oil Felt	1	
39	351.09-32	调牙滑块	Side Block	1	
40	351.09-33	油线	Oil Wick	1	
41	351.09-34	差动曲柄轴后套筒	Bushing	1	
42	351.09-35	主送布牙	Main Feed Dog	1	
43	351.09-36	差动送布牙	Differential Feed Dog	1	
44	351.09-37	抬牙滑块	Side Block	1	
45	14-K91210	滚针轴承	Needle Bearing	1	
46	01-504000821-1	螺钉/M4×8	Screw	4	
47	01-806000614-1	止付螺钉/M6×6	Screw	1	

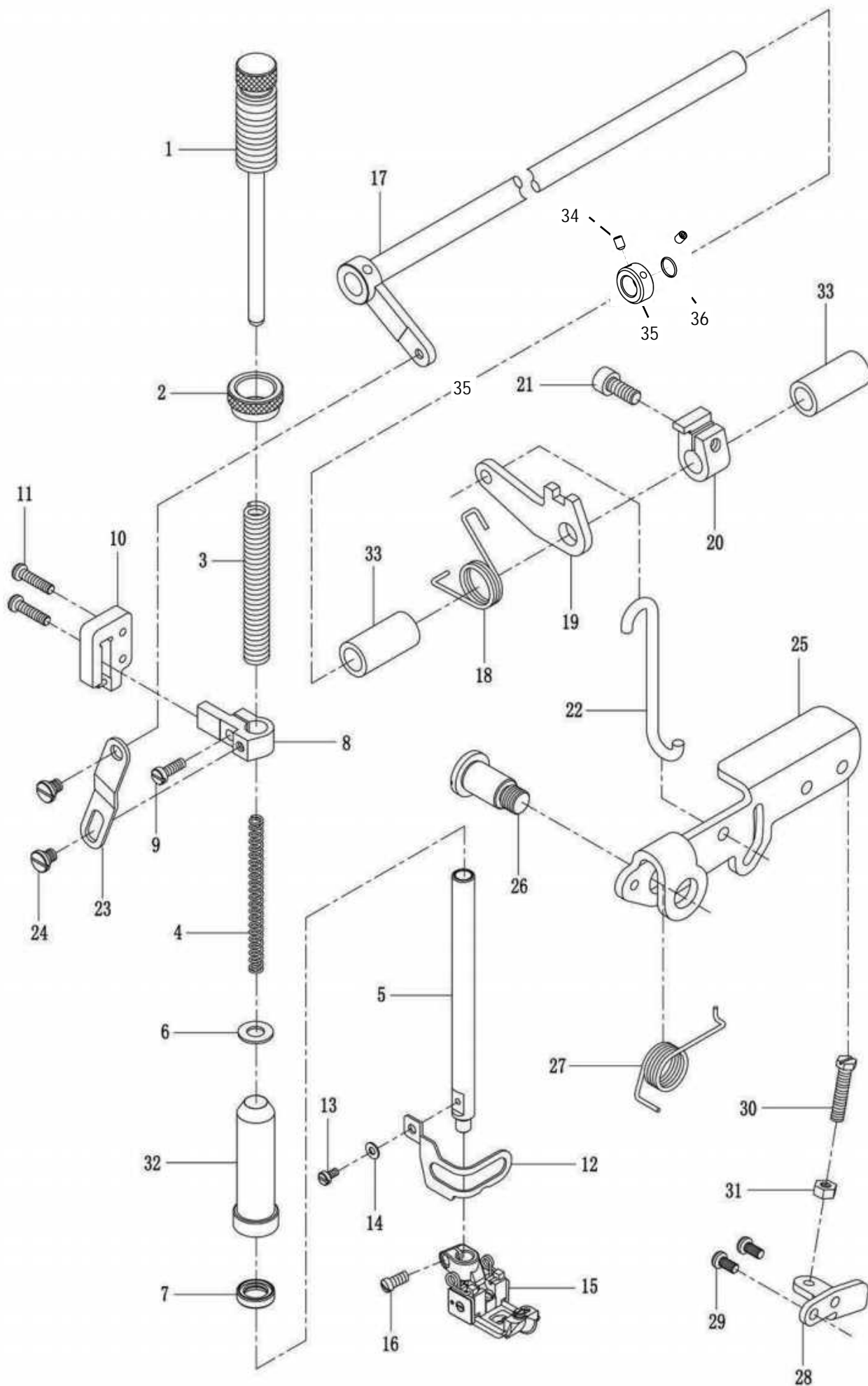
10. 送料传动部分 III/Feed Mechanism III



10. 送料传动部分 III/Feed Mechanism III

序号	图号	名称		数量	备注
		中文	英文		
1	351.10-01	曲柄传动连杆	Crank Link	1	
2	351.08-07	连杆销轴	Connecting Rod Pin	1	
3	311.12-08	油线	Oil Wick	1	
4	311.09-03	油毡	Oil Felt	4	
5	01-804000614-1	止付螺钉/M4×6	Screw	1	
6	351.08-15	垫圈	Washer	1	
7	01-103000621-1	沉头螺钉/M3×6	Screw	1	
8	351.10-02	差动调节曲柄组件	Differential Crank, C. Set	1	
9	01-806750514-1	止付螺钉/M6×0.75×5	Screw	3	
10	351.10-03	杠杆轴套筒	Bushing	1	
11	351.10-04	差动调节杠杆	Differential Adjusting Lever	1	
12	351.10-05	扭力弹簧	Sping	1	
13	351.10-06	轴固	Shaft Collar	1	
14	351.10-07	调节杠杆轴前套筒	Bushing	1	
15	13-09240170	油封	Oil Seal	1	
16	351.10-08	杠杆轴连结块I	Lever LinkI	1	
17	01-805000614-6	止付螺钉/M5×6	Screw	2	
18	351.10-09	连结板	Link Plate	1	
19	201.09-24	台阶螺钉/M5	Screw	3	
20	351.10-11	杠杆轴连结块II	Lever LinkI	1	
21	351.10-12	杠杆轴后套筒	Bushing	1	
22	351.10-13	杠杆轴	Lever Shift	1	
23	351.10-14	曲柄连结板	Crank Link	1	
24	201.09-38	差动调节螺钉	Screw	1	
25	351.10-15	差动导板	Differential Plate	1	
26	311.10-02	差动导板垫	Spacer	2	
27	01-404001423-1	十字螺钉/M4×14	Screw	2	
28	201.09-41	杠杆止块	Lever Stopper	2	
29	05-043080900-4	垫片	Washer	2	
30	01-404000623-1	十字螺钉/M4×6	Screw	2	
31	201.09-37	差动调节螺母	Differential Adjusting Nut	1	
32	09-0620513-1	碟形弹性垫片	Elastic Disk Washer	1	

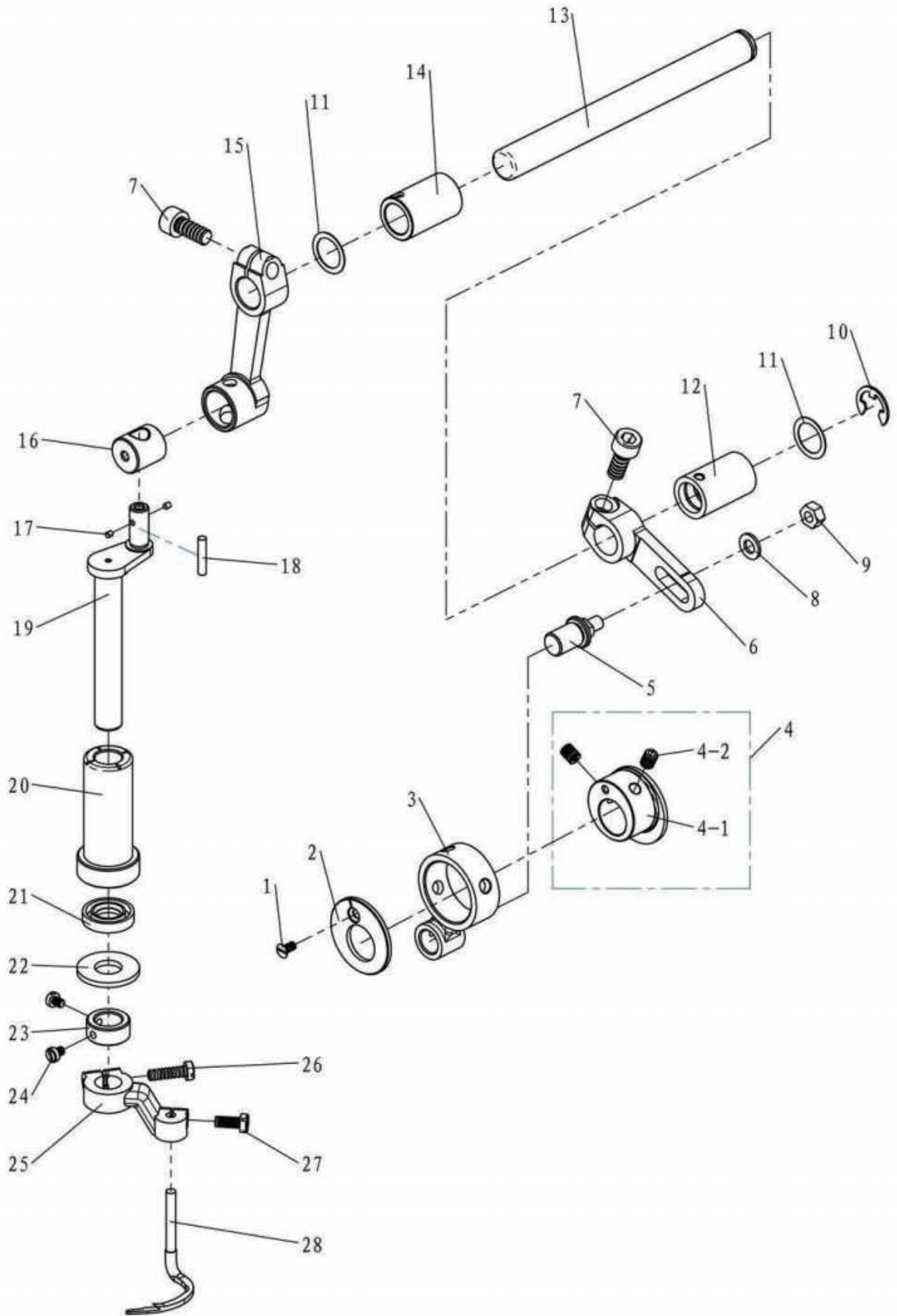
11. 压布传动部分 / Presser Foot Mechanism



11. 压布传动部分/Presser Foot Mechanism

序号	图号	名称		数量	备注
		中文	英文		
1	311.11-14	调压螺丝	Regulation Screw	1	
2	311.11-13	并紧螺母	Lock Nut	1	
3	351.11-01	调压簧I	Presser Bar SpringI	1	
4	351.11-02	调压簧II	Presser Bar SpringII	1	
5	351.11-03	压脚梗	Presser Bar	1	
6	311.11-06	遮油片	Oil Shield	1	
7	13-08240150	骨架油封	Oil Seal	1	
8	311.11-09	压脚梗导向曲柄	Presser Bar Clamp	1	
9	01-504001221-1	螺丝/M4×12	Screw	1	
10	311.11-12	压脚梗导板组件	Presser Bar Guide, C. Set	1	
11	01-404002023-1	螺钉/M4×20	Screw	2	
12	311.11-02	防护架	Safety Holder	1	
13	01-503000621-1	螺钉/M3×6	Screw	1	
14	05-032050700-4	垫圈	Washer	1	
15	311.11-27	压脚组件	Presser Foot, C. Set	1	
16	02-909400921-1	螺钉SM9/64×9	Screw	1	
17	351.11-04	拉杆组件	Tension Rod, C. Set	1	
18	351.11-05	扭力弹簧I	SpringI	1	
19	351.11-06	拉杆连结板	Tension Rod Link	1	
20	201.13-13-01	轴固	Shaft Collar	1	
21	01-506751424-1	窝头螺钉/M6×0.75×14	Screw	1	
22	201.13-18	连结杆	Link	1	
23	311.11-11	压脚梗提板	Lifter Link	1	
24	311.11-10	台阶螺钉/M5	Screw	2	
25	351.11-09	抬挡	Lever	1	
26	201.13-17	台阶螺钉/M10	Screw	1	
27	201.13-15	扭力弹簧II	SpringII	1	
28	351.11-12	定位架	Bracket	1	
29	01-404000823-1	螺钉/M4×8	Screw	2	
30	01-705002521-1	开槽外六角螺钉/M5×25	Screw	1	
31	03-605000400-1	螺母	Nut	1	
32	311.11-05	压脚梗套筒	Bushing	1	
33	351.11-14	拉杆套筒	Bushing	2	
34	01-804000614-1	内六角槽无帽凹端螺钉/M4X6	Screw	2	
35	311.14-07G	挡圈	Collar	1	
36	12-095265	O型密封圈	O-Ring	1	

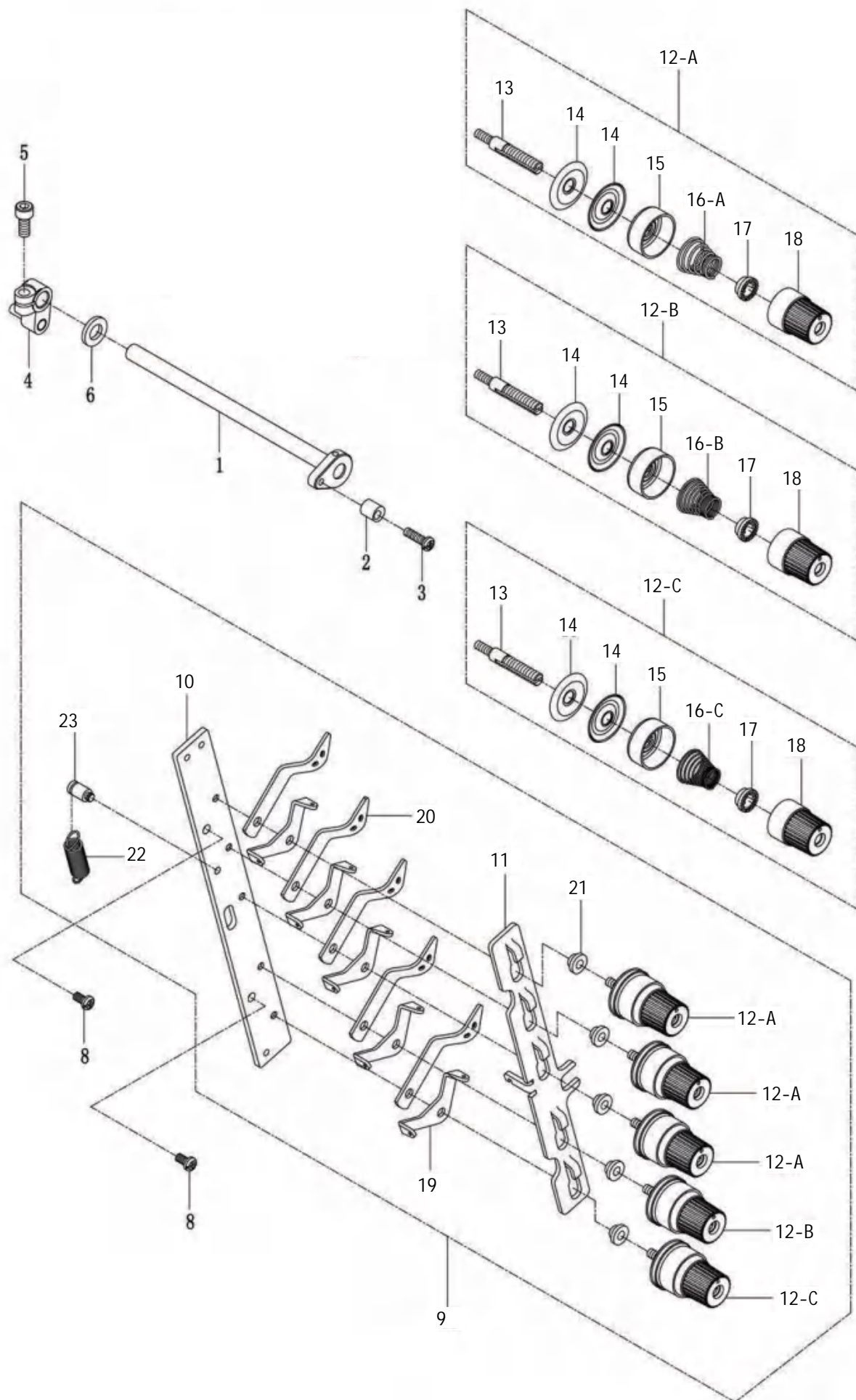
12. 喂针传动部分/Spreader Mechanism



12. 喂针传动部分/Spreader Mechanism

序号	图号	名称		数量	备注
		中文	英文		
1	01-103000621-1	沉头螺钉/M3×6	Screw	1	
2	351.12-14	喂针连杆挡片	Washer	1	
3	351.12-13	喂针连杆	Connecting Rod	1	
4	351.12-12	喂针偏心轮组件	Eccentric Wheel, c. set	1	
4-1	351.12-12-1	喂针偏心轮	Eccentric Wheel	1	
4-2	01-805000614-1	止付螺钉/M5×6	Screw	2	
5	311.12-14	调节曲柄销	Adjusting Crank Pin	1	
6	351.12-03	调节曲柄	Adjusting Crank	1	
7	01-506751424-1	窝头螺钉/M6×0.75×14	Screw	2	
8	05-053101001-5	垫圈	Washer	1	
9	03-605000400-1	螺母/M5	Nut	1	
10	06-0800816-1	开口挡圈	Ring	1	
11	201.05-08	垫片	Washer	2	
12	351.12-11	上钩针轴后套筒	Bushing	1	
13	351.12-06	喂针轴	Needle Driving Shaft	1	
14	311.12-18	喂针轴前套筒	Bushing	1	
15	351.12-07	喂针连杆	Needle Driving Link	1	
16	311.12-09	喂针连杆销	Needle Driving Bar Link	1	
17	311.12-07	油毡	Oil Felt	2	
18	311.12-08	油线	Oil Wick	1	
19	351.12-09	喂针曲柄轴	Needle Driving Crank Shaft	1	
20	351.12-08	喂针曲柄轴套筒	Bushing	1	
21	13-09340190	油封	Oil Seal	1	
22	05-101202303-5	垫圈	Washer	1	
23	311.12-03	轴箍	Shaft Collar	1	
24	01-503000421-1	螺钉/M3×4	Screw	2	
25	351.12-15	喂针架	Spreader Holder	1	
26	01-504001421-1	螺钉/M4×14	Screw	1	
27	01-504001021-1	螺钉/M4×10	Screw	1	
28	351.12-16A	喂针	Spreader	1	

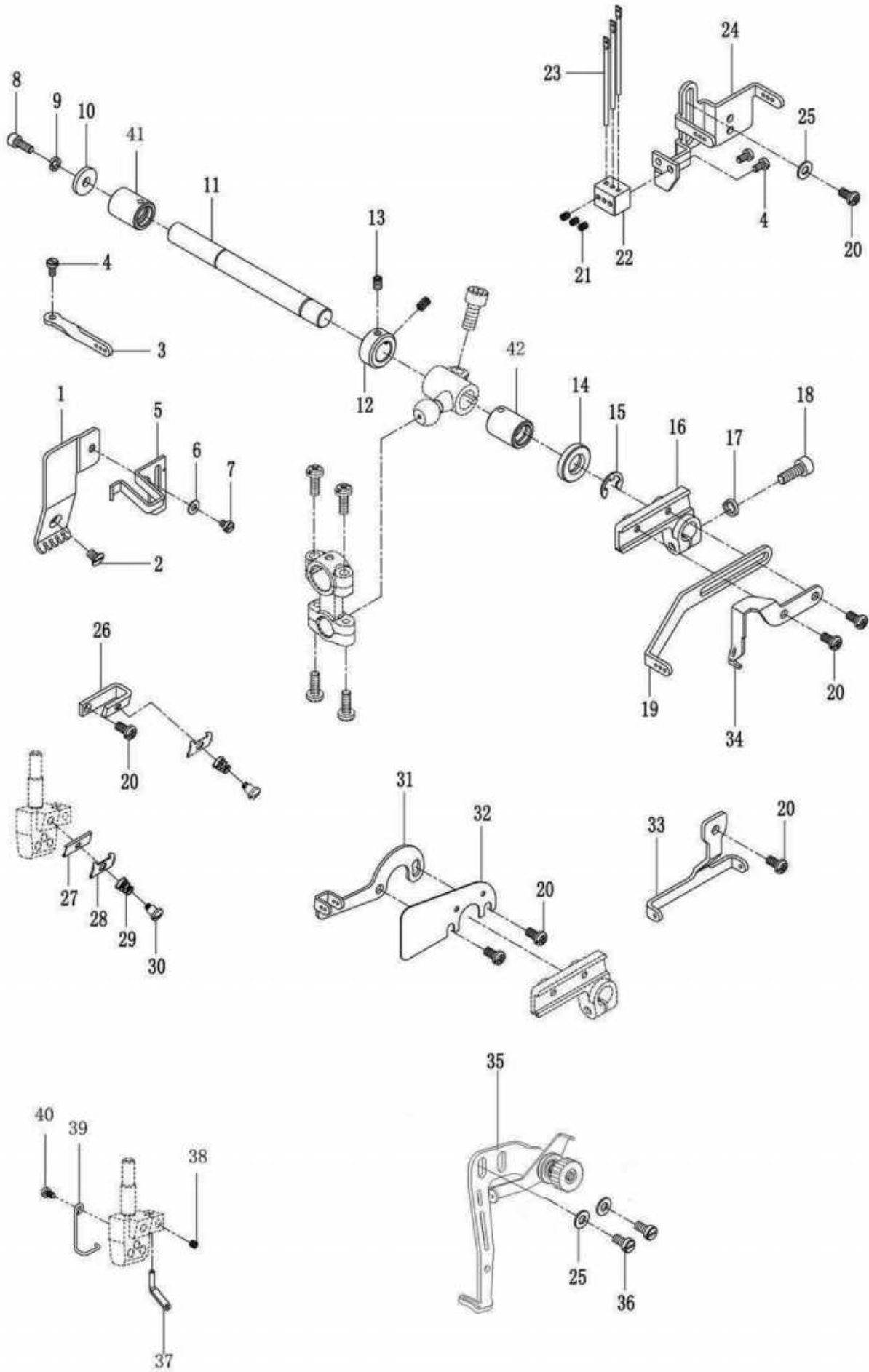
13.夹线器部分 / Thread Tension Mechanism



13. 夹线器部分/Thread Tension Mechanism

序号	图号	名称		数量	备注
		中文	英文		
1	351.13-01	松线轴组件	Tension Release Shaft, C. Set	1	
2	311.13-04	偏心套	Eccentricity Bushing	1	
3	01-404001423-1	螺钉/M4×14	Screw	1	
4	311.13-01	松线曲柄组件	Tension Release Crank, C. Set	1	
5	01-505001224-1	窝头螺钉/M5×12	Screw	1	
6	05-081201503-5	松线曲柄垫片	Washer	1	
7	351.13-02A	针线过线板	Thread Guide	1	
8	01-404000823-1	螺钉/M4×8	Screw	4	
9	351.13-04	松线架组	Tensioner Assembly	1	
10	311.13-08	过线板架	Thread Guide Bracket	1	
11	311.13-10	松线板	Tension Disk Separator	1	
12-A	311.13-12A	夹线器组(A)	Thread Tension, C. Set (A)	3	
12-B	311.13-12B	夹线器组(B)	Thread Tension, C. Set (B)	1	
12-C	311.13-12C	夹线器组(C)	Thread Tension, C. Set (C)	1	
13	311.13-12-01	夹线螺钉	Thread Tension Screw	5	
14	201.16-02-03	夹线片	Thread Tension Disk	10	
15	201.16-02-04	夹线器座	Thread Tension Base	5	
16-A	201.16-02-05A	夹线簧(A)	Thread Tension Spring(A)	3	
16-B	201.16-02-05B	夹线簧(B)	Thread Tension Spring(B)	1	
16-C	204.16-02-05C	夹线簧(C)	Thread Tension Spring(C)	1	
17	201.16-02-06	止动套	Stopping Bushing	5	
18	201.16-02-07	夹线调节螺母	Thread Tension Knob	5	
19	311.13-09	过线板II	Thread Guide II	5	
20	351.13-05	过线板II	Thread Guide II	5	
21	311.13-11	垫片	Washer	5	
22	311.13-06	松线拉簧	Spring	1	
23	311.13-07	拉簧螺钉	Screw	1	

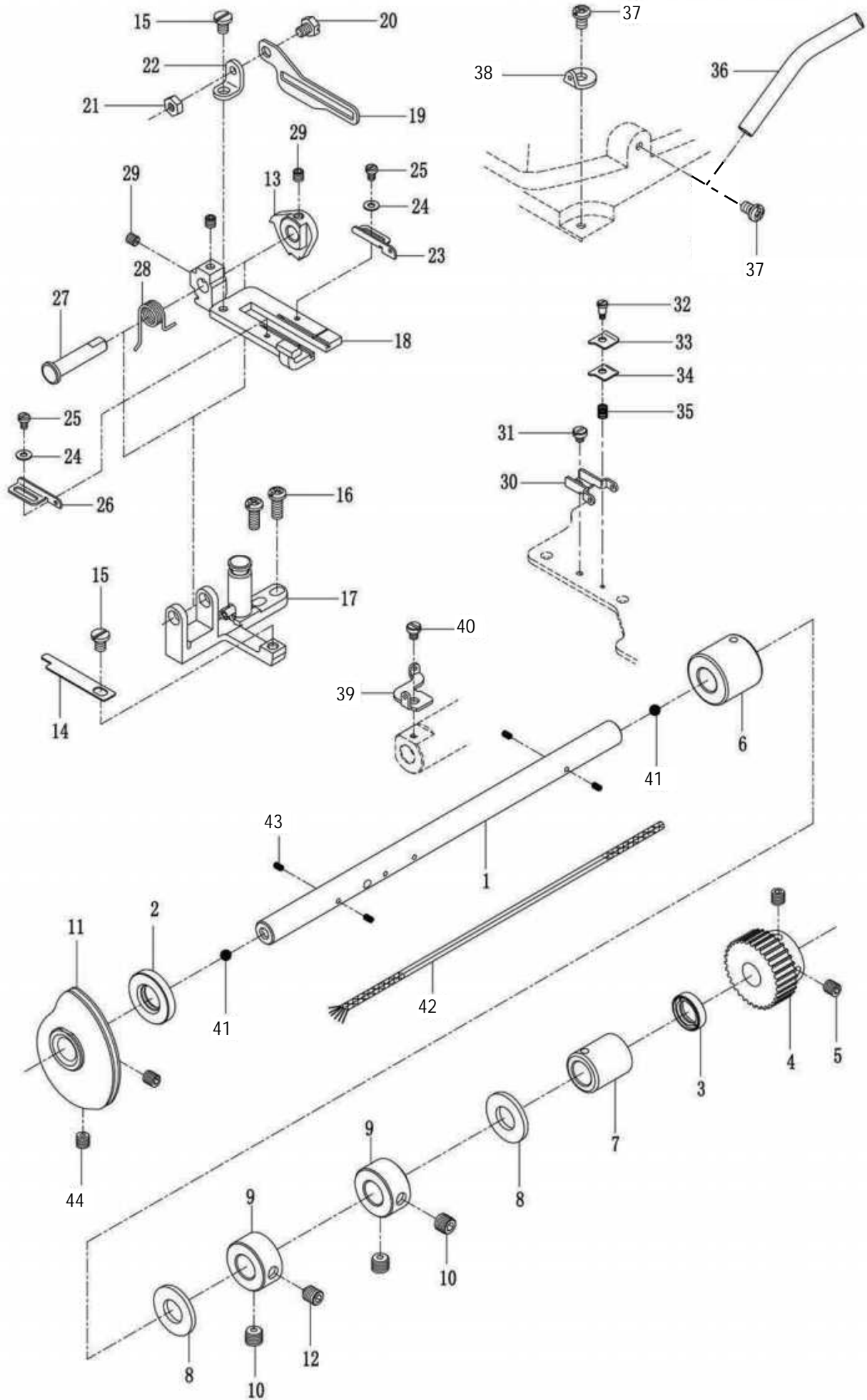
14. 挑线. 过线器部分/Needle. Spreader Thread Handling



14. 挑线. 过线器部分/Needle. Spreader Thread Handling

序号	图号	名称		数量	备注
		中文	英文		
1	311. 14-01	针杆过线	Thread Guide Plate	1	
2	01-104000721-1	沉头螺钉/M4×7	Screw	1	
3	311. 14-02	针杆挑线	Thread Guide	1	
4	01-503000621-1	螺钉/M3×6	Screw	3	
5	311. 14-03	针杆打线架	Thread Support	1	
6	05-032050700-1	垫圈	Washer	1	
7	01-503000421-1	螺钉/M3×4	Screw	1	
8	01-504000824-1	窝头螺钉/M4×8	Screw	1	
9	07-0421111-1	弹性垫圈	Elastic Washer	1	
10	05-046201453-5	垫圈	Washer	1	
11	311. 14-06	挑线轴	Shaft	1	
12	311. 14-07G	挡圈	Collar	1	
13	01-804000614-1	止付螺钉/M4×6	Screw	2	
14	13-09340190	油封	Oil Seal	1	
15	06-0700814-1	开口挡圈	Ring	1	
16	311. 14-08	打线架座	Holder	1	
17	07-0521313-1	弹性垫圈	Spring Washer	1	
18	01-505001424-1	窝头螺钉/M5×14	Screw	1	
19	311. 14-09	针线打线架	Thread Guide	1	
20	01-404000823-1	十字螺钉/M4×8	Screw	7	
21	01-803000414-1	止付螺钉/M3×4	Screw	3	
22	311. 14-10	过线柱座	Holder	1	
23	311. 14-11	过线柱	Thread	3	
24	311. 14-12	硅油盒过线架	Thread Guide	1	
25	05-043080900-4	垫片	Washer	3	
26	311. 14-13	夹线座	Thread Tension Base	1	
27	311. 14-14	针杆夹线板(A)	Thread Tension Plate(A)	1	
28	311. 14-15	针杆夹线板(B)	Thread Tension Plate(B)	1	
29	311. 14-16	针杆小夹线簧	Thread Tension Spring	1	
30	311. 14-17	针杆小夹线螺钉	Thread Tension Screw	1	
31	311. 14-18	喂针过线架I	Thread Guide	1	
32	311. 14-19	中间板	Mideel Board	1	
33	311. 14-20	喂针过线架II	Thread Guide	1	
34	311. 14-21	喂针打线架	Thread Takeup	1	
35	311. 14-22	喂针过线架	Thread Guide	1	
36	01-504000821-1	螺钉/M4×8	Screw	2	
37	311. 14-23	喂针过线板	Thread Guide	1	
38	203. 19-06-06	压线板	Thread Tension Disk	2	
39	203. 19-06-07	压线簧	Thread Tension Spring	1	
40	203. 19-06-05	压线螺钉	Thread Tension Screw	1	
41	203. 19-06-08	压线螺母	Thread Tension Nut	1	
42	311. 14-24	喂线护线勾	Thread Guarding Hook	1	
43	01-803000314-1	止付螺钉/M3×3	Screw	1	
44	311. 14-26	过线钩	Guide Hook	1	
45	01-525000421-1	螺钉/M2. 5×4	Screw	1	
46	311. 14-25	挑线轴后套筒	Bushing	1	
47	351. 14-02	挑线轴前套筒	Bushing	1	

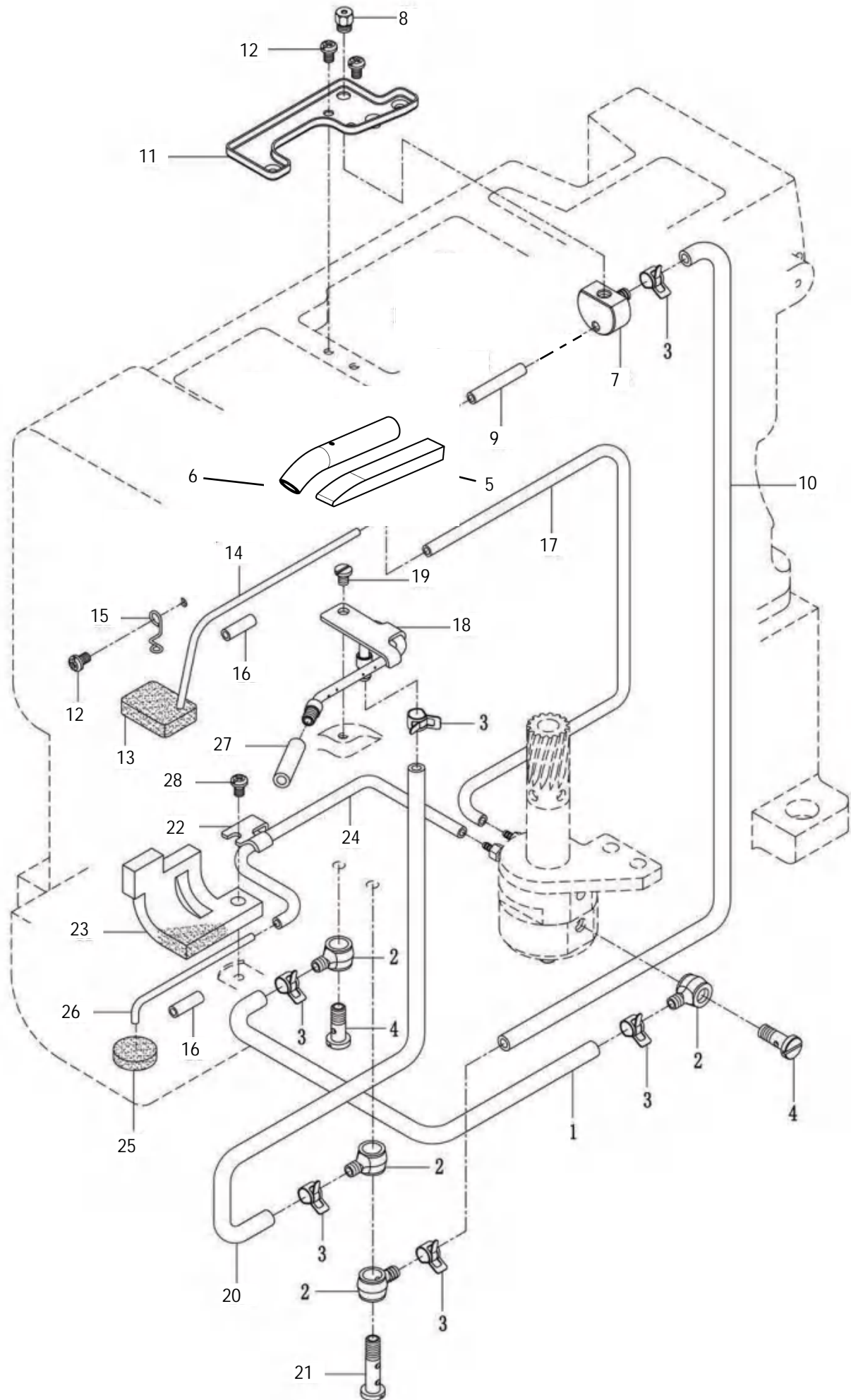
15.打线器部分 / Looper Thread Mechanism



15. 打线器部分/Looper Thread Mechanism

序号	图号	名称		数量	备注
		中文	英文		
1	351.15-01	打线凸轮传动轴	Thread Takeup Shaft	1	
2	13-09740220	油封	Oil Seal	1	
3	13-09740150	油封	Oil Seal	1	
4	351.15-02	同步带轮-38齿	Timing Gear-32	1	
5	01-805000514-1	止付螺钉/M5×5	Screw	2	
6	351.15-24	凸轮传动轴前套筒	Bushing	1	
7	351.15-03	凸轮传动轴后套筒	Bushing	1	
8	05-101202103-5	平垫片	Washer	2	
9	351.15-04	轴固	Shaft Collar	2	
10	01-806750514-1	止付螺钉/M6×0.75×5	Screw	3	
11	351.15-05	打线凸轮组件	Looper Thread Takeup Assembly	1	
12	01-806750844-1	止付螺钉/M6×0.75×8	Screw	1	
13	351.15-06	止动块	Stopper	1	
14	351.15-07	弹片	Flat Spring	1	
15	01-604000521-1	螺钉/M4×5	Screw	2	
16	01-404001023-1	螺钉/M4×10	Screw	2	
17	351.15-08	打线架调节座组件	Thread Takeup Adjusting Base	1	
18	351.15-09	打线架	Thread Takeup Bracket	1	
19	351.15-10A	拦线板	Thread Wiper	1	
20	01-704000621-1	外六角螺钉/M4×6	Screw	1	
21	03-604000220-1	螺母/M4	Nut	1	
22	351.15-11	拦线板固定架	Thread Wiper Bracket	1	
23	351.15-12A	打线架过线片I	Thread Guidel	1	
24	05-027050600-1	平垫片	Washer	2	
25	01-525000421-1	螺钉/M2.5×4	Screw	2	
26	311.15-15A	打线架过线片II	Thread Guide11	1	
27	351.15-13	打线架固定轴	Thread Takeup Shaft	1	
28	351.15-14	扭力弹簧	Spring	1	
29	01-804000414-1	止付螺钉/M4×4	Screw	3	
30	351.15-15	夹线片座	Thread Retainer Base	1	
31	01-503000421-1	螺钉/M3×4	Screw	1	
32	201.05-36	拦线板紧固螺钉	Screw	1	
33	351.15-17	夹线片I	Thread Retainer1	1	
34	351.15-18	夹线片II	Thread Retainer!	1	
35	351.15-19	夹线片弹簧	Spring	1	
36	351.15-20A	拦线板	Thread Guatd	1	
37	01-404000623-1	螺钉/M4×6	Screw	2	
38	351.15-21	弯针过线片I	Thread Guidel	1	
39	351.15-22	弯针过线片II	Thread Guide!	1	
40	01-503000421-1	螺钉/M3×4	Screw	1	
41	351.09-03	球塞	Ball Plug	2	
42	351.15-25	油线	Oil Wick	1	
43	351.09-04	油毡	Oil Felt	4	
44	01-805000414-1	止付螺钉/M5×4	Screw	2	

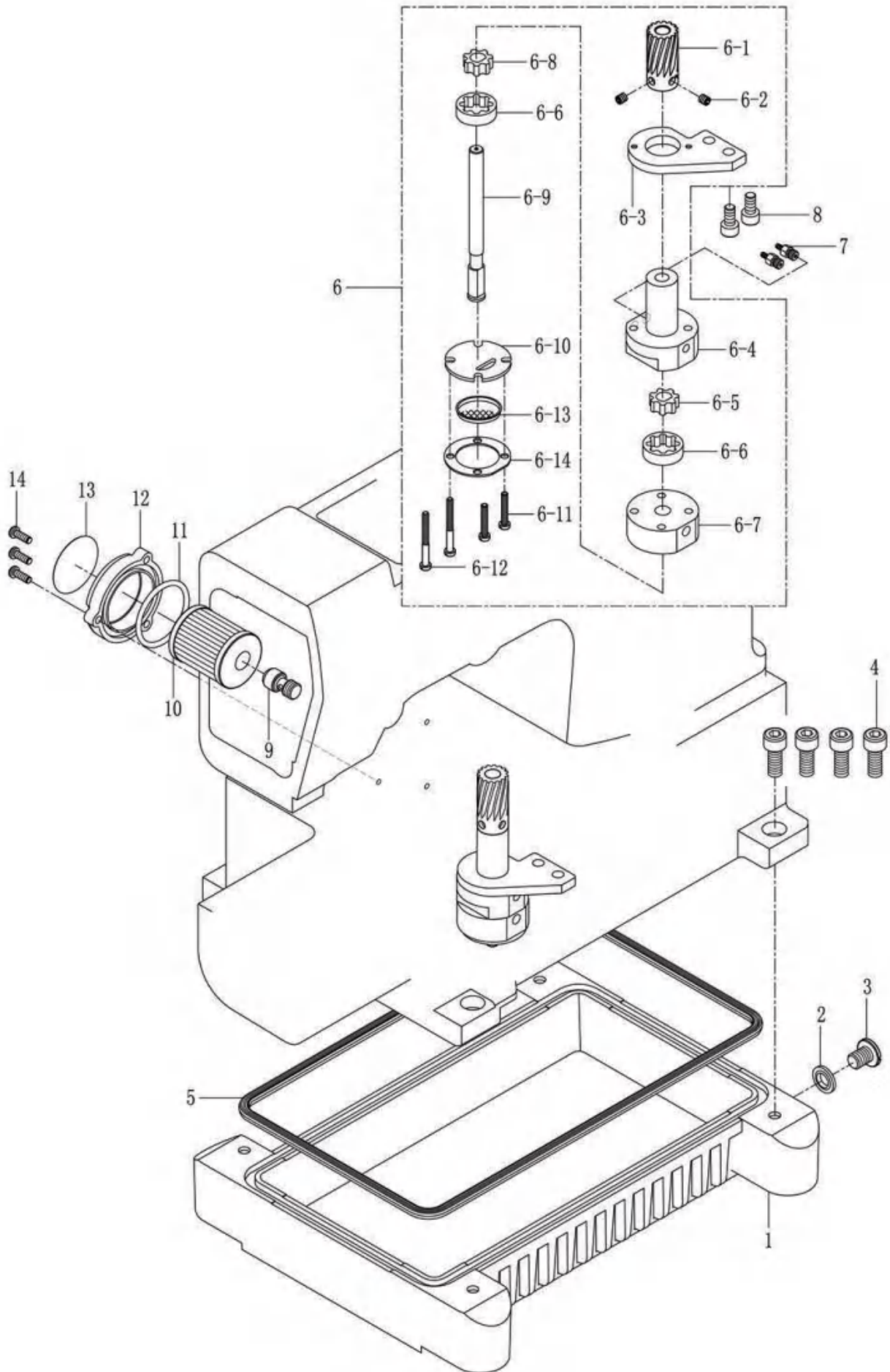
16. 润滑部分 / Lubrication Mechanism



16. 润滑部分 I /Lubrication Mechanism I

序号	图号	名称		数量	备注
		中文	英文		
1	201.20-09YGA	供油管	Oil Tube	1	
2	201.14-10	油管单接头	Oil Tube Joint	4	
3	201.20-08	油管卡簧	Oil Tube Clamp	6	
4	201.14-11	油管接头螺钉	Oil Tube Joint Screw	2	
5	311.16-06	毛毡	Felt	1	
6	311.16-07	油管	Oil Tube	1	
7	351.16-06	喷油嘴座	Nozzle Holder	1	
8	351.16-07	喷油嘴	Nozzle	1	
9	351.16-08	油管	Oil Tube	1	
10	201.20-09YGA	供油管I	Supply Oil Tube I	1	
11	351.16-10	托油盘	Oil Release Plate	1	
12	01-404000623-1	十字螺钉/M4×6	Screw	3	
13	311.16-05	毛毡	Felt	1	
14	351.16-20	吸油管I	Suction Pipe	1	
15	311.16-02	回油管勾	Latch	1	
16	103.08-36-1-4A	吸油管套	Suction Pipe Bushing	2	
17	103.08-36-1-4A	回油管I	Back To Oil Tube I	1	
18	351.16-11	喷油管组件	Oil Sprinkler, C. Set	1	
19	01-604000521-1	螺钉/M4×5	Screw	1	
20	201.20-09YGA	供油管II	Supply Oil TubeII	1	
21	311.16-12	油管接头螺钉	Oil Tube Joint Screw	1	
22	351.16-13	油管压板	Oil Tube Presser	1	
23	351.16-14	吸油海棉	Sponge	1	
24	103.08-36-1-4A	回油管II	Back To Oil Tube II	1	
25	351.16-16	吸油毛毡	Felt	1	
26	351.16-17	吸油管II	Suction Pipe	1	
27	201.20-09YGA	油管	Oil Tube	1	
28	01-404000823-1	螺钉/M4×8	Screw	1	

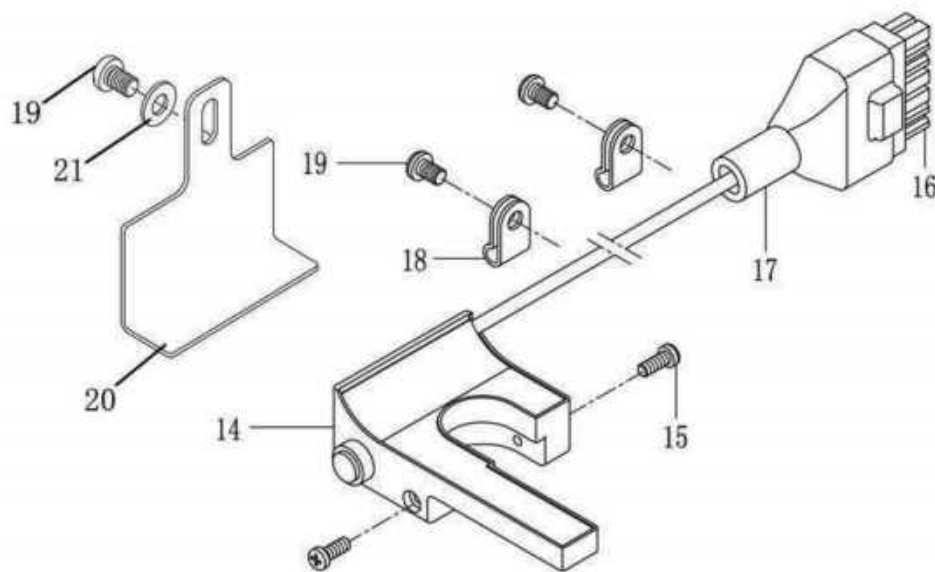
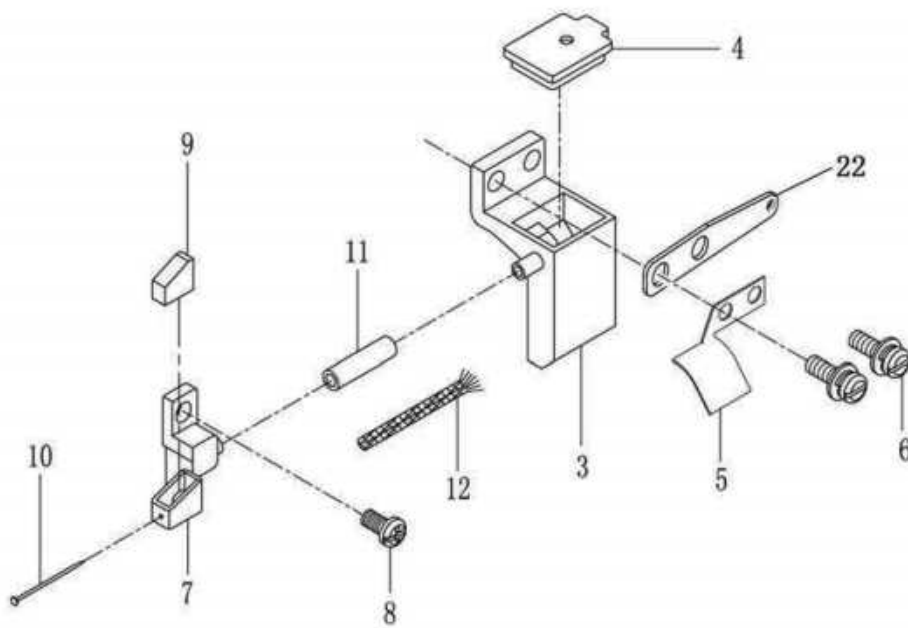
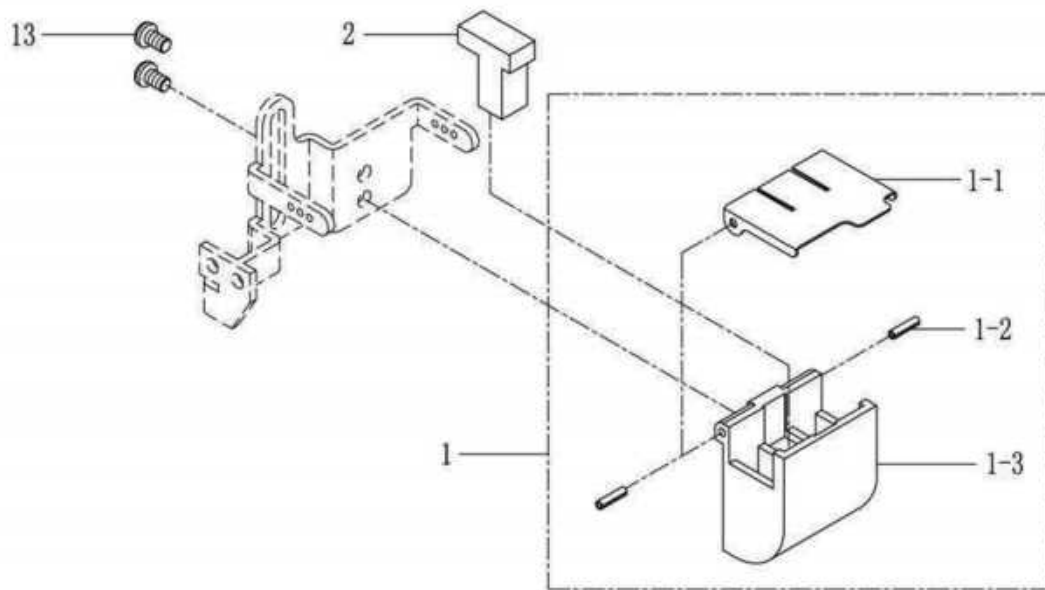
17 润滑部分 / Lubrication Mechanism



17. 润滑部分II/Lubrication Mechanism II

序号	图号	名称		数量	备注
		中文	英文		
1	351.17-01	油盘	Oil Reservoir	1	
2	201.15-01-02	放油螺钉油封	Screw Gasket	1	
3	201.15-01-03	放油螺钉	Screw	1	
4	01-508002024-1	窝头螺钉/M8×20	Screw	4	
5	351.17-02	油盘密封圈	Oil Reservoir Gasket	1	
6	351.17-03	油泵组件	Oil Pump, C. Set	1	
6-1	351.17-03-01	油泵蜗轮	Worm Wheel	1	
6-2	01-805000514-1	止付螺钉/M5×5	Screw	2	
6-3	351.17-03-02	油泵固定座	Oil Pump Bracket	1	
6-4	351.17-03-03	油泵本体	Pump Body	1	
6-5	351.17-03-04	油泵内转子I	Pump Rotor-Insidel	1	
6-6	351.17-03-05	油泵外转子	Pump Rotor-Outside	2	
6-7	351.17-03-06	油泵底座	Pump Base	1	
6-8	351.17-03-07	油泵内转子II	Pump Rotor-Insidell	1	
6-9	351.17-03-08	油泵心轴	Oil Pump Shaft	1	
6-10	351.17-03-09	油泵底座盖	Pump Base Cover	1	
6-11	01-404002523-1	窝头螺钉/M4×25	Screw	2	
6-12	01-404004023-1	窝头螺钉/M4×40	Screw	2	
6-13	351.17-03-10	油泵滤网	Filter Net	1	
6-14	351.17-03-11	滤网盖	Filter Net Cover	1	
7	201.15-07	油管接头	Oil Tube Joint	2	
8	01-506001224-1	窝头螺钉/M6×12	Screw	2	
9	351.17-04	滤油器接头	Oil Filter Joint	1	
10	201.14-05	滤油器	Oil Filter	1	
11	12-390350	O型密封圈	O-Ring	1	
12	351.17-05	滤油器上盖	Oil Filter Cover	1	
13	201.02-37	滤油器更换标识	Filter Replacement Label	1	
14	01-404001223-1	螺钉/M4×12	Screw	3	

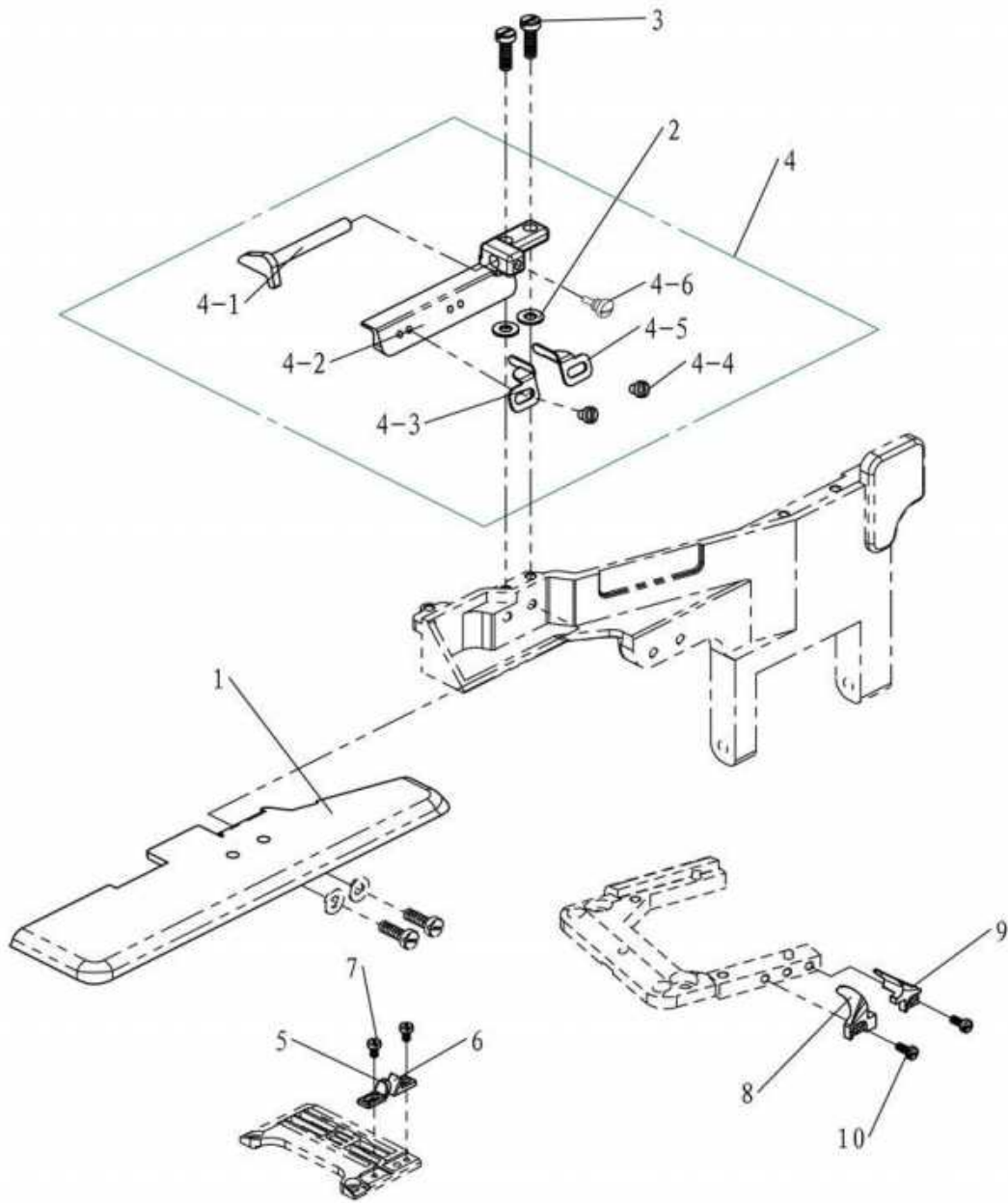
18. 硅油装置. 照明灯部分/H. R. Device. Jacklight



18. 硅油装置. 照明灯部分/H. R. Device. Jacklight

序号	图号	名称		数量	备注
		中文	英文		
1	351.18-08	针线硅油盒组件	Silcone Oil Reservoir, C. Set	1	
1-1	351.18-08-01	针线硅油盒盖	Silcone Oil Reservoir Cover	1	
1-2	15-1200804-1	弹性销	Spring Pin	2	
1-3	351.18-08-02	针线硅油盒	Silcone Oil Reservoir	1	
2	311.18-10	针线润滑毛毡	Felt	1	
3	351.18-01A	机针硅油盒	Silcone Oil Reservoir	1	
4	351.18-02	机针硅油盒盖	Silcone Oil Reservoir Cover	1	
5	351.18-03A	遮油盖	Cover	1	
6	18-404001123-4	三件套螺钉M4×11	Screw	2	
7	351.18-04	机针冷却器组件	Needle Cooler, C. Set	1	
8	01-404000823-1	螺钉/M4×8	Screw	1	
9	351.18-05	机针冷却器毛毡	Needle Cooler Felt	1	
10	201.20-13	油线钉	Tack	1	
11	351.18-06	油线管	Oil Tube	1	
12	351.18-07	油线	Oil Wick	1	
13	20-4350672-4	自攻螺钉(刮削端)	Screw	2	
14	JL-09-35B	节能照明灯组件	Light C, Set	1	
15	20-4291072-3	自攻螺钉	Screw	2	
16	101.06-21	照明灯线孔插座	Receptade Plug	1	
17	101.06-22	插头防护罩	Receptade Plug Cover	1	
18	103.11-64	中继线管夹	Cord Clip	2	
19	01-404000623-1	十字螺钉/M4×6	Screw	3	
20	351.18-09	照明灯固定板	Lamp Fixing Plate	1	
21	05-043080900-4	垫片	Washer	1	

19 标准专用配件 / Standard Specific Parts

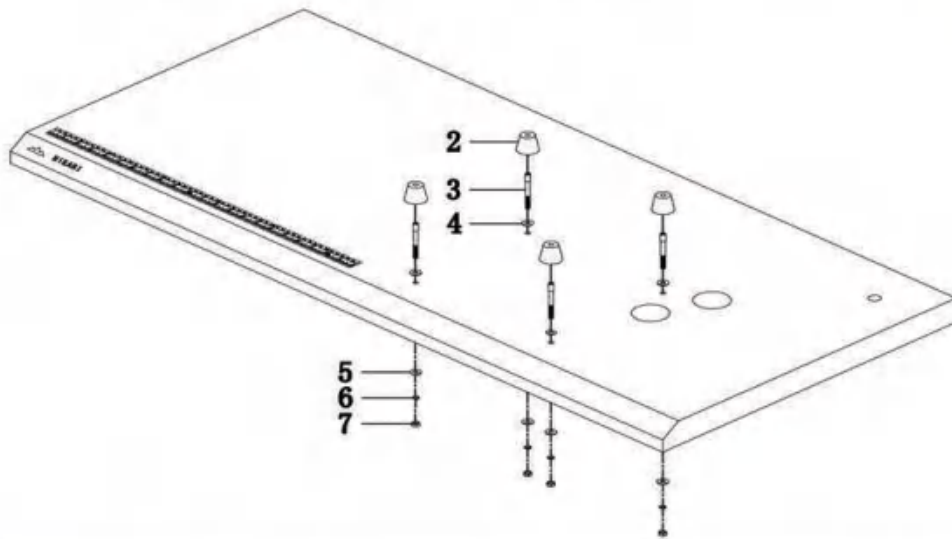


19. 标准专用配件/Standard Specific Parts

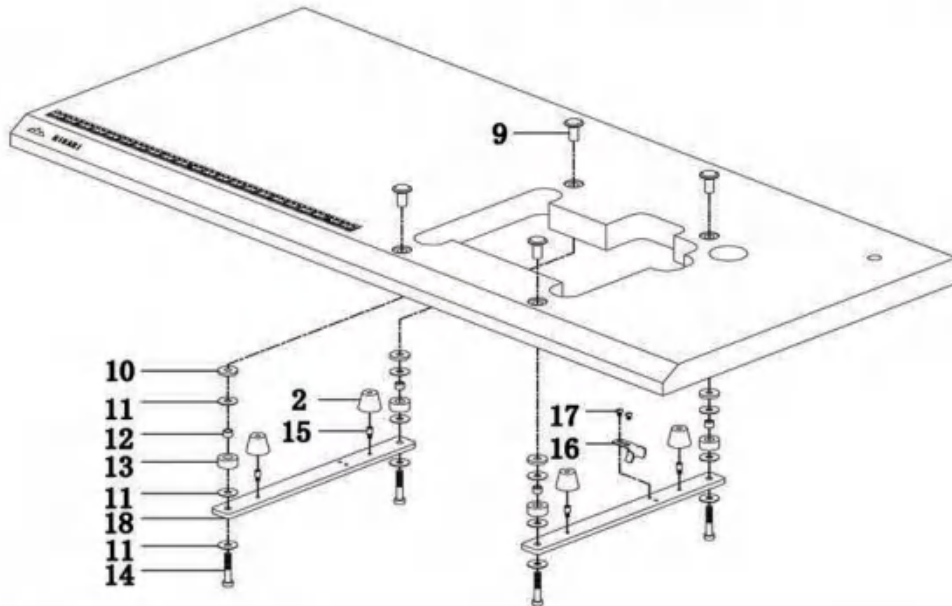
序号	图号	名称		数量	备注
		中文	英文		
1	351.19-01A	辅助架	Auxiliary Bracket	1	
2	05-043080900-4	垫片	Washer	2	
3	01-504001221-1	螺钉/M4×12	Screw	2	
4	351.19-02C	面料定位器组件	Fabric Guide, C. Set	1	
4-1	351.19-02-04	右侧挡布杆	Fabric Guide Rod-Right	1	
4-2	351.19-02-01	挡布板固定座	Folder Stand	1	
4-3	351.19-02-02	小挡布板-左	Fabric Guide-Left	1	
4-4	01-503000421-1	螺钉/M3×5	Screw	2	
4-5	351.19-02-03	小挡布板-右	Fabric Guide-Right	1	
4-6	351.19-02-05	球头螺钉/M4×8	Screw	1	
5	351.19-13	直式导布器-左	Straight Type Fabric Guide-Left	1	
6	351.19-14	直式导布器-右	Straight Type Fabric Guide-Right	1	
7	01-525000421-1	螺钉/M2.5×4	Screw	2	
8	351.19-15	倒骨导布器-左	Fabric Guide-Left	1	
9	351.19-16	倒骨导布器-右	Fabric Guide-Right	1	
10	01-525000621-1	螺钉/M2.5×6	Screw	2	

20. 安装部分/Installation Mechanism

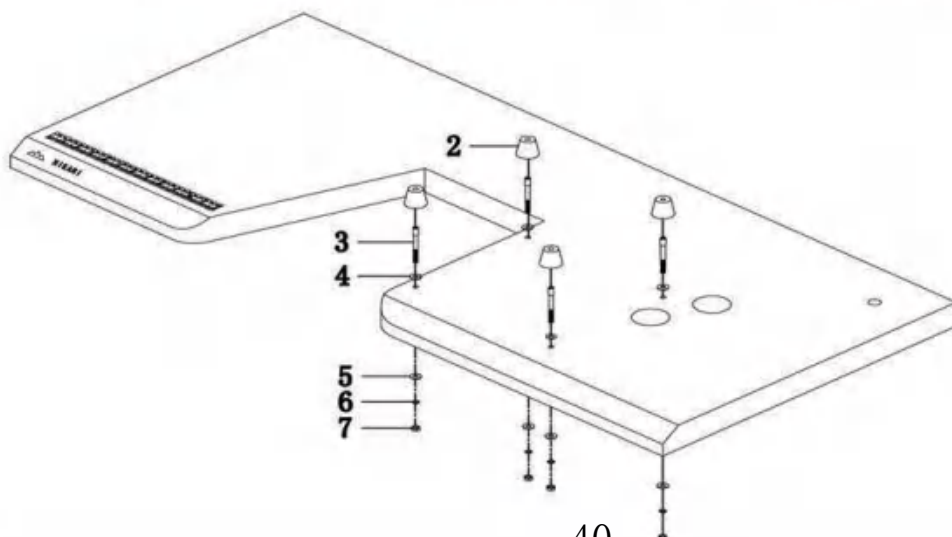
放置式安装 (Non-submerged Installation)



半沉式安装 (Semi-submerged Installation)



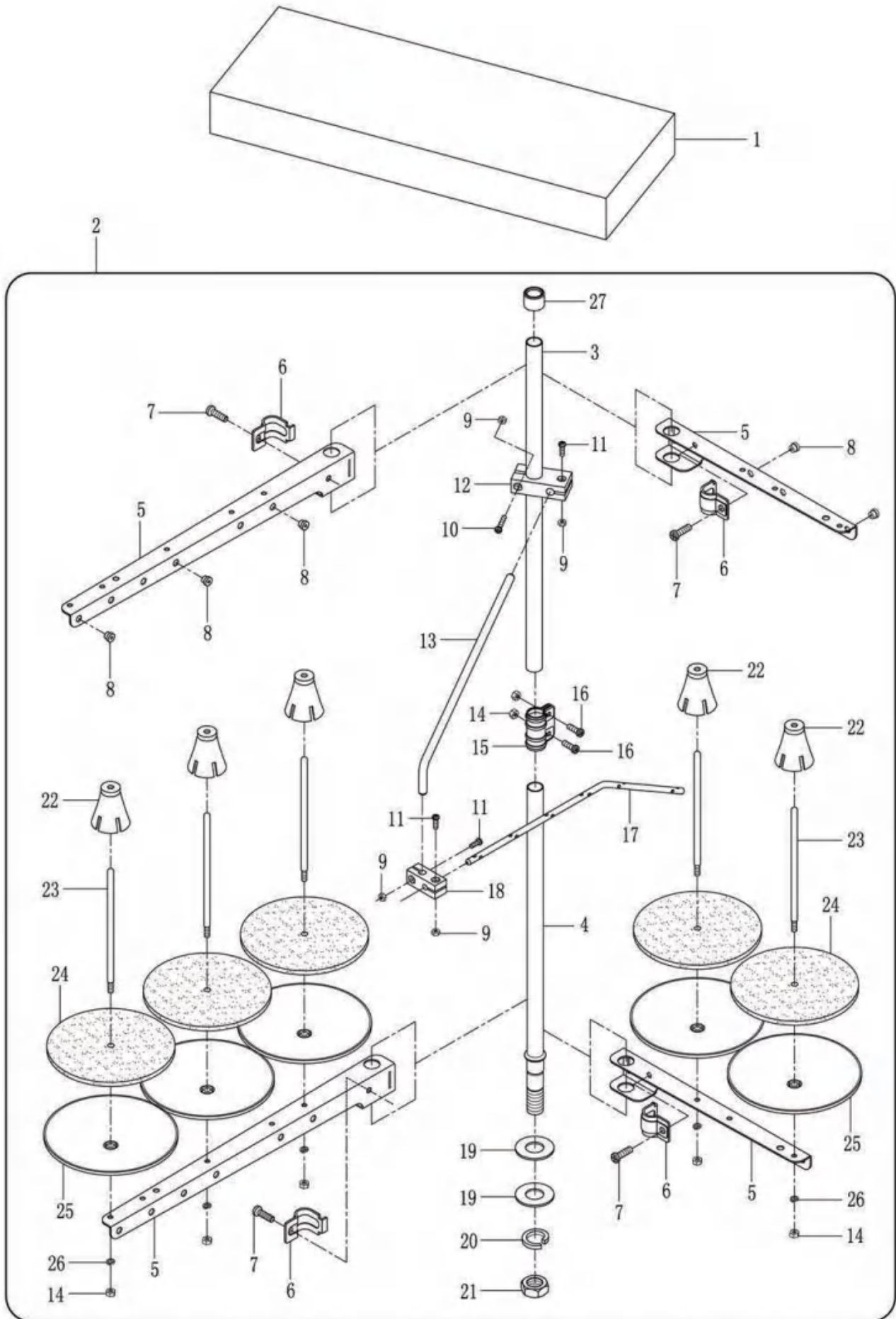
开口式安装 (Open-submerged Installation)



20. 安装部分/Installation Mechanism

序号	图号	名称		数量	备注
		中文	英文		
1	351.20-00	台板支撑销组件	Table Fixing Rod, C. Set	1	
2	351.20-02	机头防震垫	Cushion Rubber	4	
3	351.20-01	防震垫支撑销	Fixing Rod	4	
4	05-062081301-1	垫片	Washer	4	
5	05-064161800-1	垫片	Washer	4	
6	07-0631616-1	弹性垫圈	Spring Washer	4	
7	03-606000500-1	螺母/M6	Nut	4	
8	311.20-00	台板固定架组件	Semi-Submerged Installation, C. Set	1	
9	201.22-07-08-04	台板固定螺套	Nut	4	
10	311.20-14	垫片	Washer	4	
11	311.20-15	垫片	Washer	12	
12	311.20-16	内套	Gasket	4	
13	311.20-17	橡胶套	Cushion Rubber	4	
14	01-508005524-1	台板螺钉	Screw	4	
15	311.20-19	机头防震垫螺钉	Screw	4	
16	311.20-20	挂钩架	Treadle Chain Guide	1	
17	01-505000821-1	螺钉/M5×8	Screw	2	
18	311.20-13	托盘架	Bracket	2	

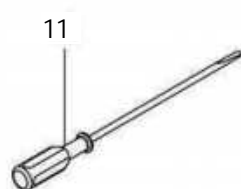
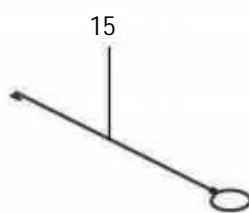
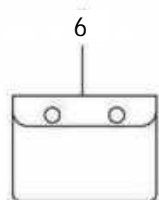
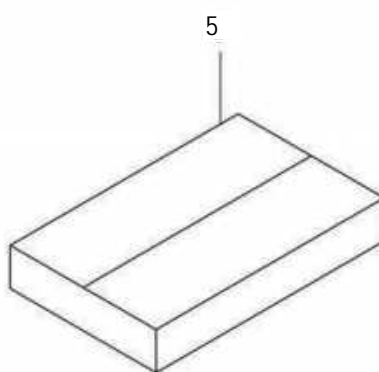
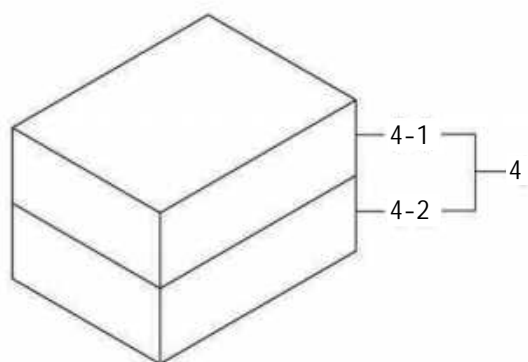
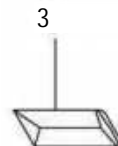
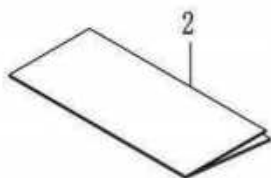
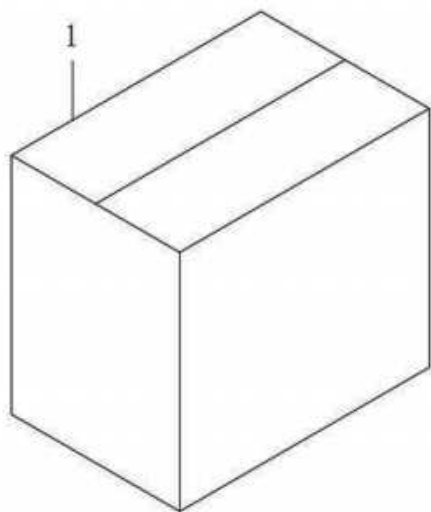
21. 附件部分 / Accessories Part



21. 附件部分I/Accessories Parti

序号	图号	名称		数量	备注
		中文	英文		
1	311.21-01	小附件箱	Small Attachment Box	1	
2	311.21-02	线架组件	Thread Stand, C. Set	1	
3	311.21-02-01	线架上管	Thread Standing Pipe (Upper)	1	
4	311.21-02-02	线架下管	Thread Standing Pipe (Lower)	1	
5	201.22-07-09-04	过线臂(长)	Thread Guide Arm (Long)	2	
	202.22-07-09-04	过线臂(短)	Thread Guide Arm (Short)	2	
6	201.22-07-09-05	张扣	Joint	4	
7	201.22-07-09-06	张扣螺钉	Screw	4	
8	201.22-07-09-07	过线磁眼	Thread Guide Hole	5	
9	201.22-07-09-08	螺母	Nut	4	
10	201.22-07-09-09	大固定夹螺钉A	Screw	1	
11	201.22-07-09-10	固定夹螺钉B	Screw	3	
12	201.22-07-09-11	大固定夹	Thread Guide Holder (Large)	1	
13	201.22-07-09-12	固定夹连接杆	Thread Guide Pole	1	
14	201.22-07-09-13	螺母	Nut	7	
15	201.22-07-09-14	上下管接头	Column Pipe Connector	1	
16	201.22-07-09-15	接头螺钉	Screw	2	
17	201.22-07-09-16	穿线杆	Thread Guide Pole	1	
18	201.22-07-09-17	小固定夹	Thread Guide Holder (Small)	1	
19	201.22-07-09-18	下管垫片	Washer	2	
20	201.22-07-09-19	弹簧垫	Elastic Washer	1	
21	201.22-07-09-20	大螺母	Nut	1	
22	201.22-07-09-21	线圈芯	Spool Cushion	5	
23	201.22-07-09-22	线圈轴	Spool Pin	5	
24	201.22-07-09-23	线盘垫	Spool Mat	5	
25	201.22-07-09-24	线盘	Spool Seat Disc	5	
26	201.22-07-09-25	弹性垫圈	Elaetic Washer	5	
27	201.22-07-09-26	上管盖帽	Column Cap	1	

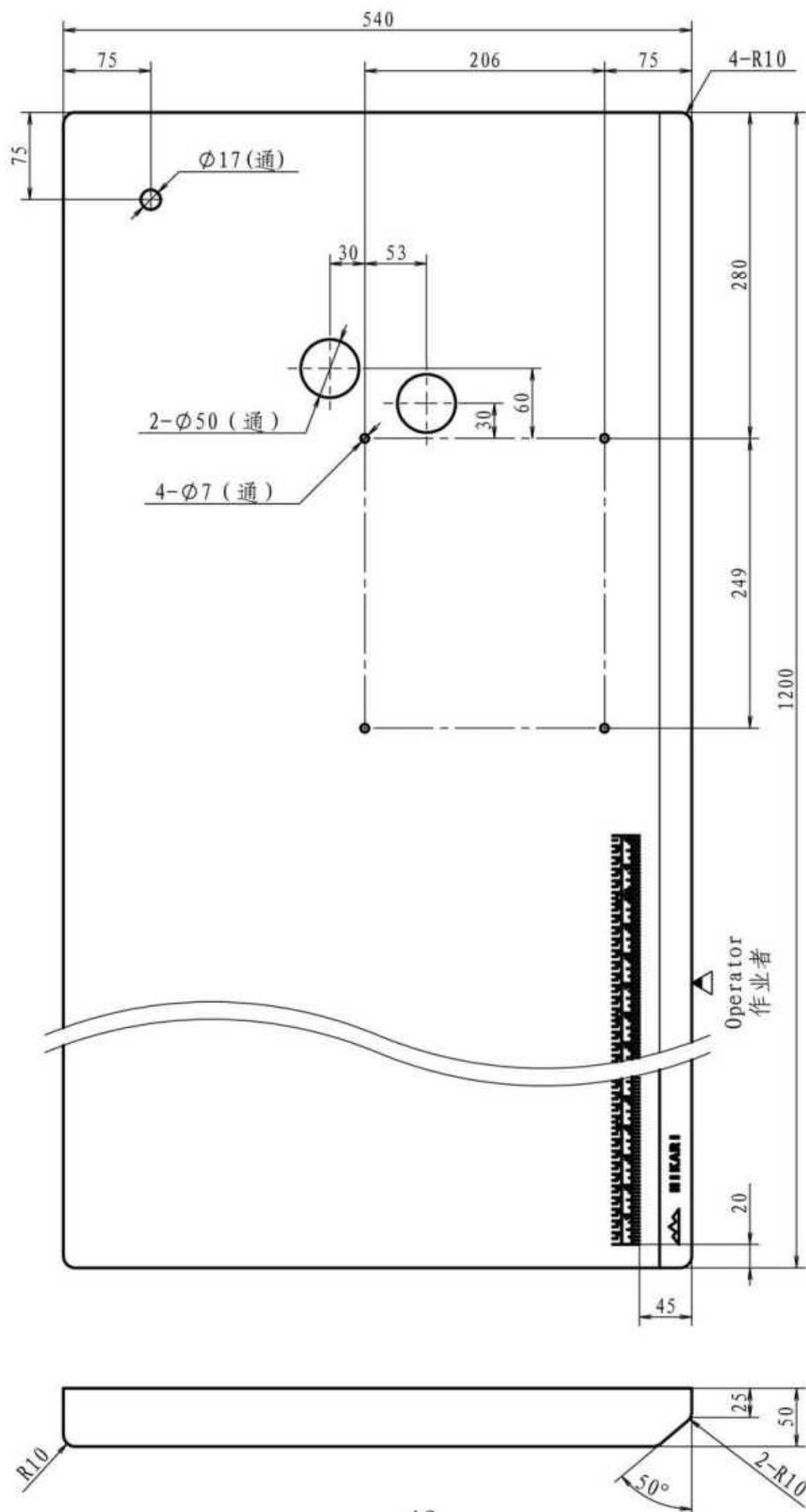
22.附件部分



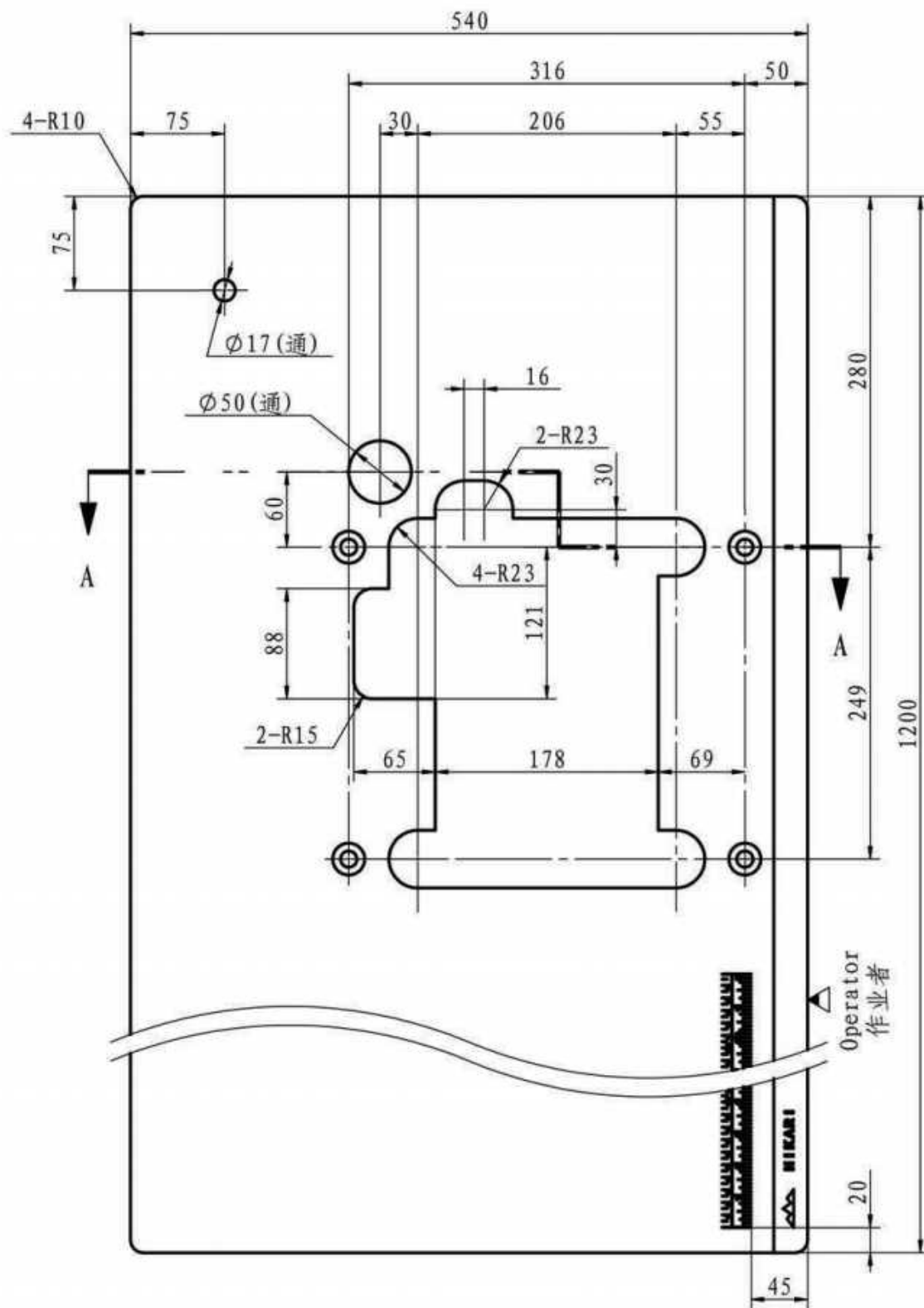
22. 附件部分II/Accessories PartII

序号	图号	名称		数量	备注
		中文	英文		
1	351.22-01	外包装箱	Packing Box (Outside)	1	
2	103.20-52	机头罩	Dustproof Cover	1	
3	311.06-17	机针 (UYX128GAS#10)	Needle	3	
4	361.20-05	泡沫箱组件	Foam Box, C. Set	1	
4-1	361.20-05-01	泡沫箱(上)	Foam Box (Up)	1	
4-2	361.20-05-02	泡沫箱(下)	Foam Box (Down)	1	
5	361.20-06	大附件箱	Big Attachment Box	1	
6	201.22-07-08-11	附件袋	Accessories Bag	1	
7	311.20-22	链勾	Chain Hook	1	
8	201.22-07-08-13	镊子	Tweezers	1	
9	201.22-07-08-15	六角扳手(S6)	Hexagon Spanner (S6)	1	
10	201.22-07-08-16	有手柄六角扳手(1.5)	Hexagon Spanner (1.5)	1	
11	311.20-12	大螺丝刀	Screwdriver	1	
12	201.22-06C	大油壶	Oil Pot	1	
13	201.22-07-08-09	小油壶	Oil Container	1	
14	351.22-06	定位块	Localizer	1	
15	351.22-07	穿线钩	Threading Hook	1	

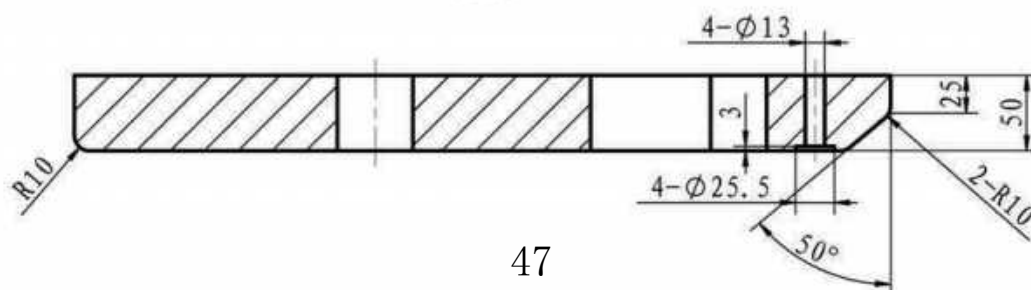
23. 放置式桌板/Non-submerged Table



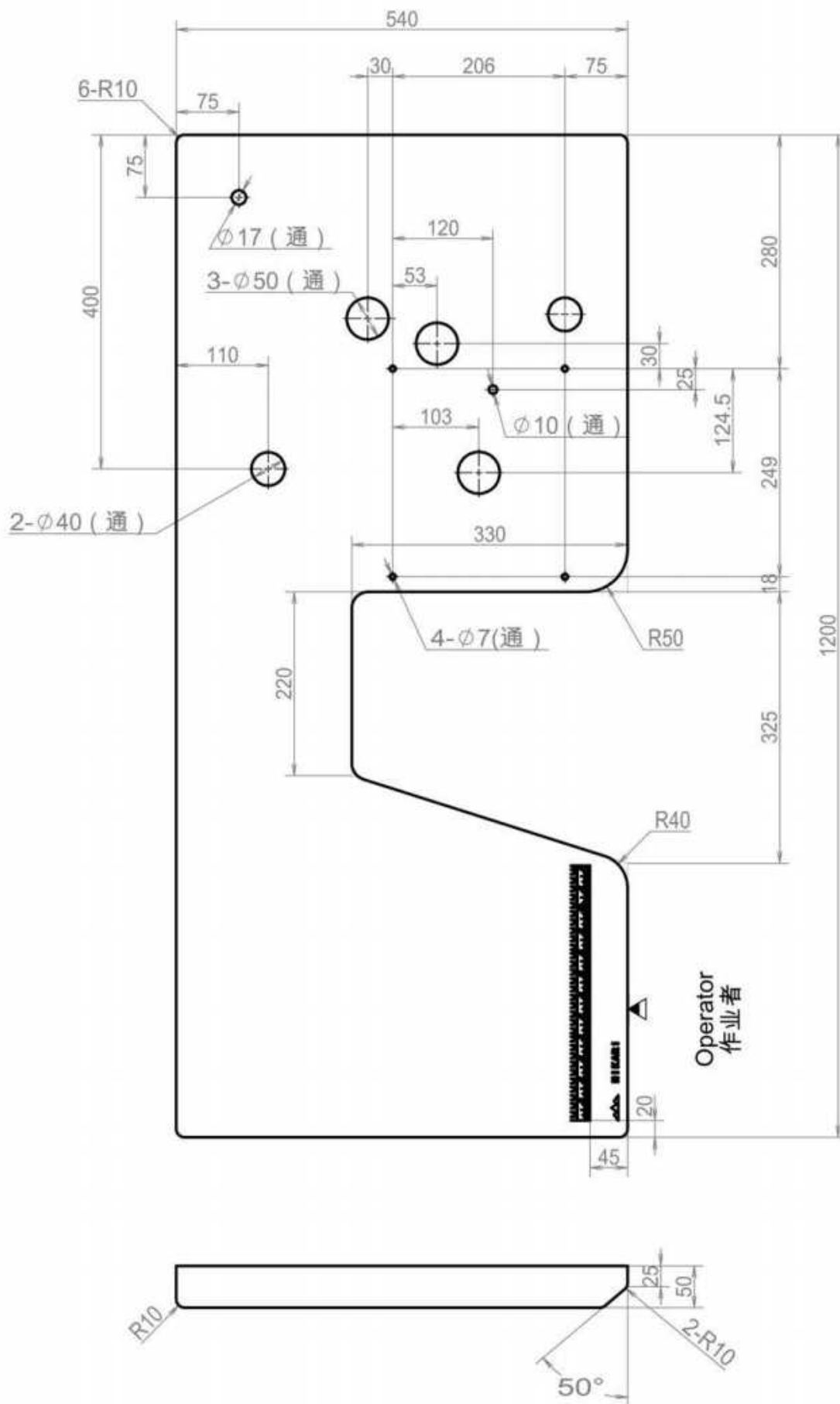
24 半沉式桌板/Semi-submerged Table



A-A



25. 开口式桌板/Open-submerged Table

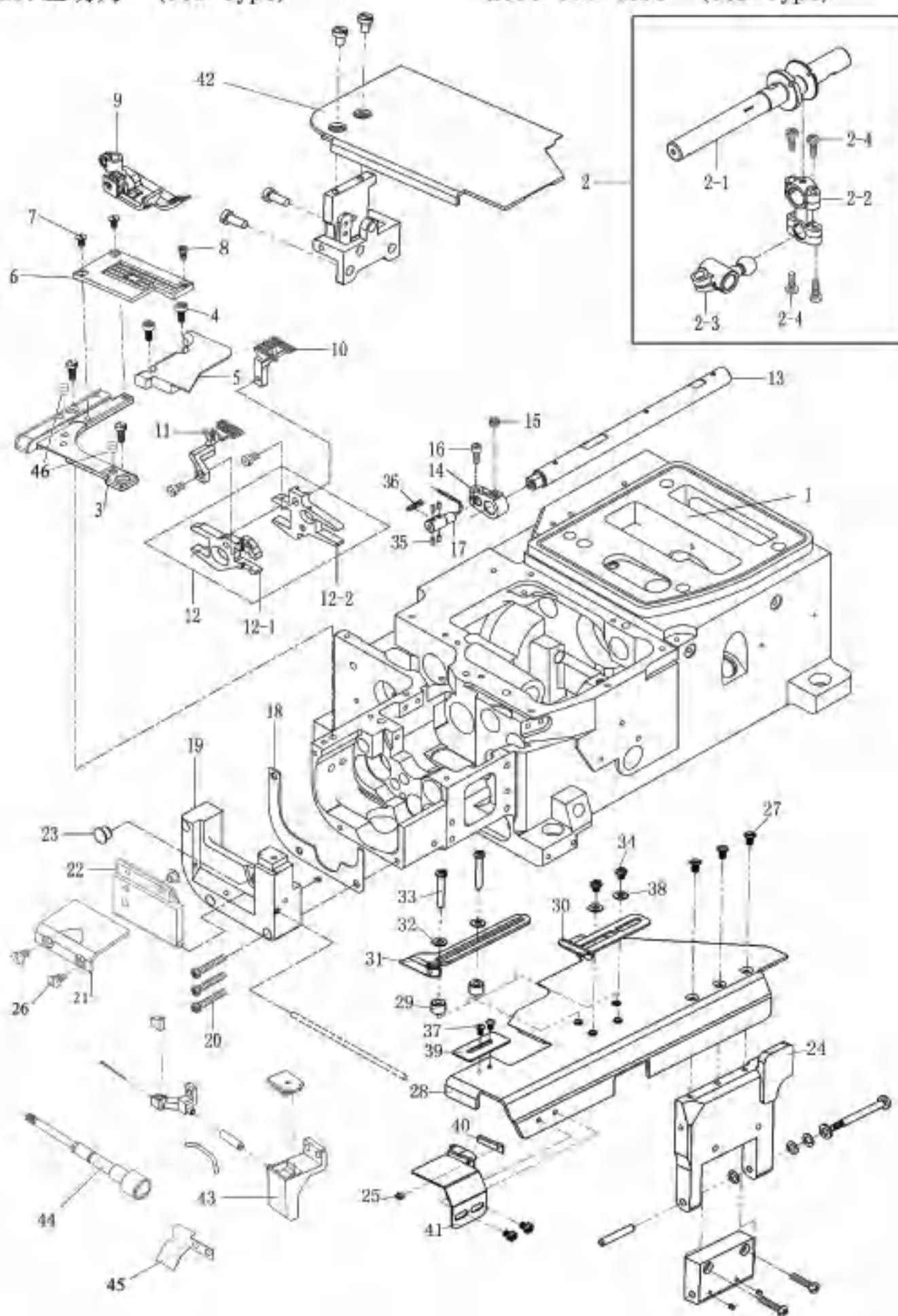


专用部分零件手册

	目次	CONTENTS	PAGE
26	左切刀一 (35B-Type)-----	Left-cut tool一 (35B-Type)-----	50~51
27	左切刀二 (35B-Type)-----	Left-cut tool二 (35B-Type)-----	52~53
28	右切刀一 (33A-Type)-----	Right-cut tool一 (33A-Type)-----	54~55
29	右切刀二 (33A-Type)-----	Right-cut tool二 (33A-Type)-----	56~57
30	右切刀三 (33A-Type)-----	Right-cut tool三 (33A-Type)-----	58~59
31	RP装置一-----	RP Device一-----	60~61
32	RP装置二-----	RP Device二-----	62~63
33	吸风装置-----	Suction device-----	64~65
1	UT自动切线机构-----	Thread Trim Mechanism-----	66~67
2	电动下剪线传动机构-----	Electrical Thread Trim Driving Mechanism-----	68~69
2-1	气动下剪线传动机构-----	Pneumatic Bottom Trim Driving Mechanism-----	70~71
3	拨线机构-----	Thread Wiper Mechanism-----	72~73
4	上饰线切线机构-----	Top Cover Thread Trim Mechanism-----	74~75
4-1	上饰线万向接头机构-----	Top Cover Thread Adapter Mechansim-----	76~77
4-2	气动上吹线及上切线机构-----	Pneumatic Top Air Wiper Trimmer Mechanism---	78~79
5	电动抬压脚机构-----	Electrical Foot Lifter Mechanism-----	80~81
5-1	气动抬压脚机构-----	Pneumatic Foot Lifer Mechanism-----	82~83
6	自动剪线松线机构-----	Thread Releaser Mechanism-----	84~85

26. 左切刀—(35B-Type)

Left-cut tool—(35B-Type)

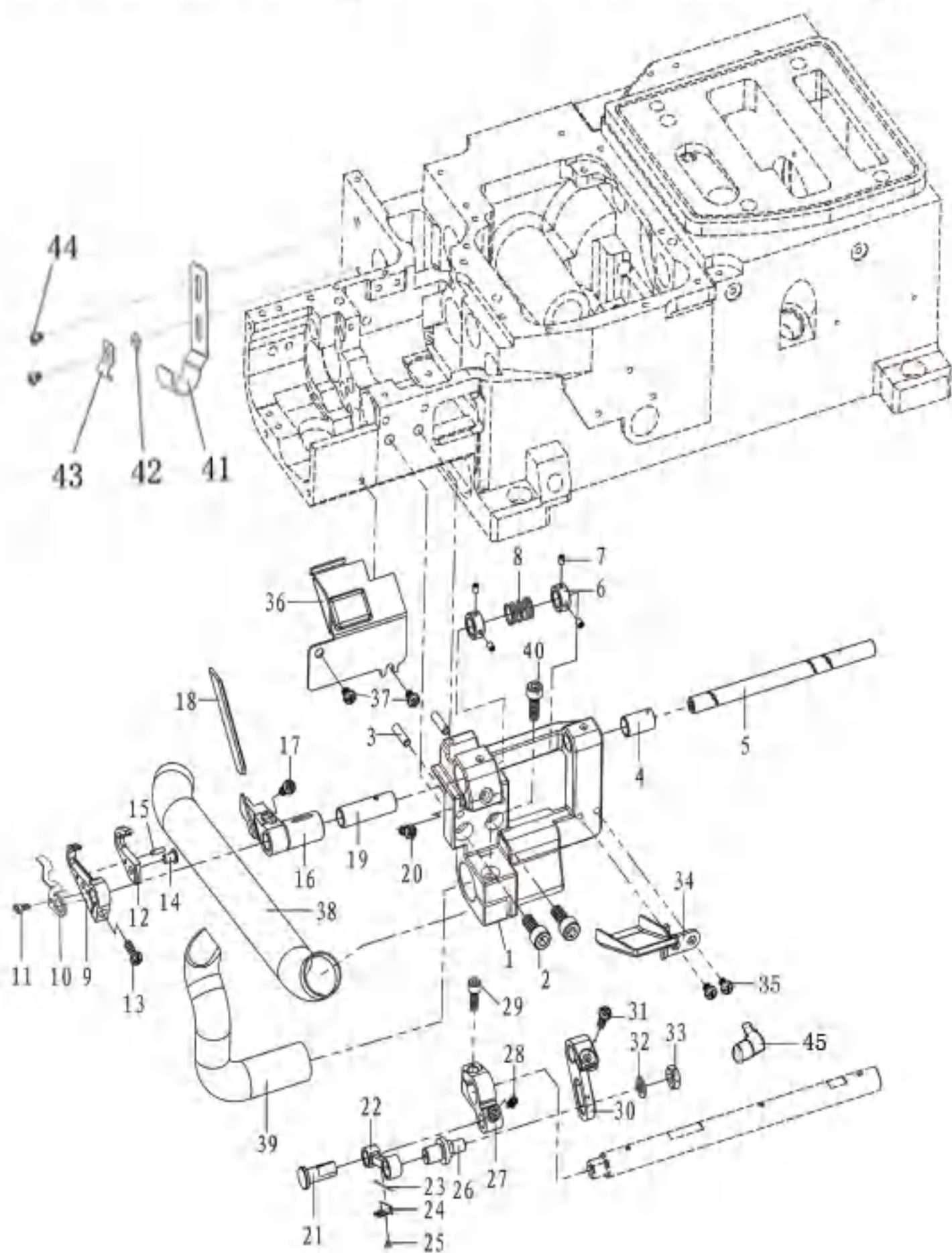


26. 左切刀一 (35B-Type) Left-cut tool— (35B-Type)

序号	图号	名称		数量	备注
		中文	英文		
1	355.01-01	机壳组件	Machine Frame Unit	1	
2	355.05-02	上曲轴连杆组件	Upper Crank Shaft, C.Set	1	
2-1	355.05-02-01	上曲轴	Upper Crank Shaft	1	
2-2	351.05-02-02	挑线球连杆	Connecting Rod	1	
2-3	351.05-02-03	挑线球曲柄	Crank	1	
2-4	01-404001223-1	十字螺钉/M4×12	Screw	4	
3	355.03-08A	针板架	Needle Plate Base	1	
4	01-504000824-1	螺钉	screw	1	
5	355.03-07A	挡块	Left-Brock	1	
6	355.06-19A	针板	Needle Plate	1	
7	355.06-20A	针板螺钉SM9/64×7	Screw	1	
8	01-503000621-1	针板螺钉/M4×6	Screw	1	
9	355.11-15A-356	压脚组件	Presser Foot, C.Set	1	
10	355.09-35A-01	主送布牙	Main Feed Dog	1	
11	355.09-35A-02	差动送布牙	Differential Feed Dog	1	
12	355.09-14	送料牙叉组件	Feed Bar Assembly	1	
12-1	355.09-14-01	差动送料牙叉	Differential Feed Bar	1	
12-2	351.09-14-02	主送料牙叉	Main Feed Bar	1	
13	355.25-02	送料摆动轴	Feed Rocker Shaft	1	
14	355.25-03	摆动轴曲柄	Rocker Shaft Crank	1	
15	01-806750414-1	止付螺钉/M6×4	Screw	1	
16	01-504001024-1	窝头螺钉/M4×10	Screw	1	
17	355.25-04	偏心销	Eccentric Pin	1	
18	355.03-11	侧盖密封垫	Side Cover Gasket	1	
19	355.03-10	底座侧盖	Bed Side Cover	1	
20	01-404002523-1	十字螺钉/M4×25	Screw	3	
21	355.03-12A	缝台	Sewing Cover	1	
22	355.03-13	侧盖辅助板	Auxiliary Side Cover	1	
23	22-08506011	橡胶塞	Rubber Pulg	1	
24	355.02-08C	前罩板	Front Cover	1	
25	01-525000321-1	螺钉/M2.5×3	Screw	1	
26	01-604000521-1	螺钉/M4×5	Screw	3	
27	01-104000721-1	沉头螺钉/M4×7	Screw	3	
28	355.02-10C	前罩板顶盖	Top Cover	1	
29	355.19-02A	凸台垫圈	boss back-up ring	2	
30	355.19-04A	限位挡板	Fabric Guide-Left	1	
31	355.19-03A	挡板	Fabric Guide-Right	1	
32	05-043080900-4	垫片	Washer	6	
33	01-404001423-1	螺丝/M4×14	Screw	2	
34	01-404000523-1	螺丝/M4×5	Screw	2	
35	351.09-04	油毡	Oil Felt	4	
36	351.09-33	油线	Oil Wick	1	
37	01-303000321-2	螺钉/M4×4	Screw	2	
38	05-043080900-4	平垫片	washer	2	
39	355.02-11A	前罩板辅助板	Auxiliary front cover	1	
40	355.02-12A	前罩板辅助板II挡块	Auxiliary front cover II broc	1	
41	355.02-13C	前罩板辅助板II	Auxiliary front coverII	1	
42	356.03-04	底座左盖板组件	bed left cover	1	
43	351.18-01	机针桂油盒	Silcone Oil Reservoir	1	
44	351.08-22A	送料调节螺杆	Regulation Screw	1	
45	351.18-03	遮油盖	Cover	1	
46	22-03105006	橡胶塞	Rubber Pulg	1	

27. 左切刀二 (35B-Type)

Left-cut tool二 (35B-Type)

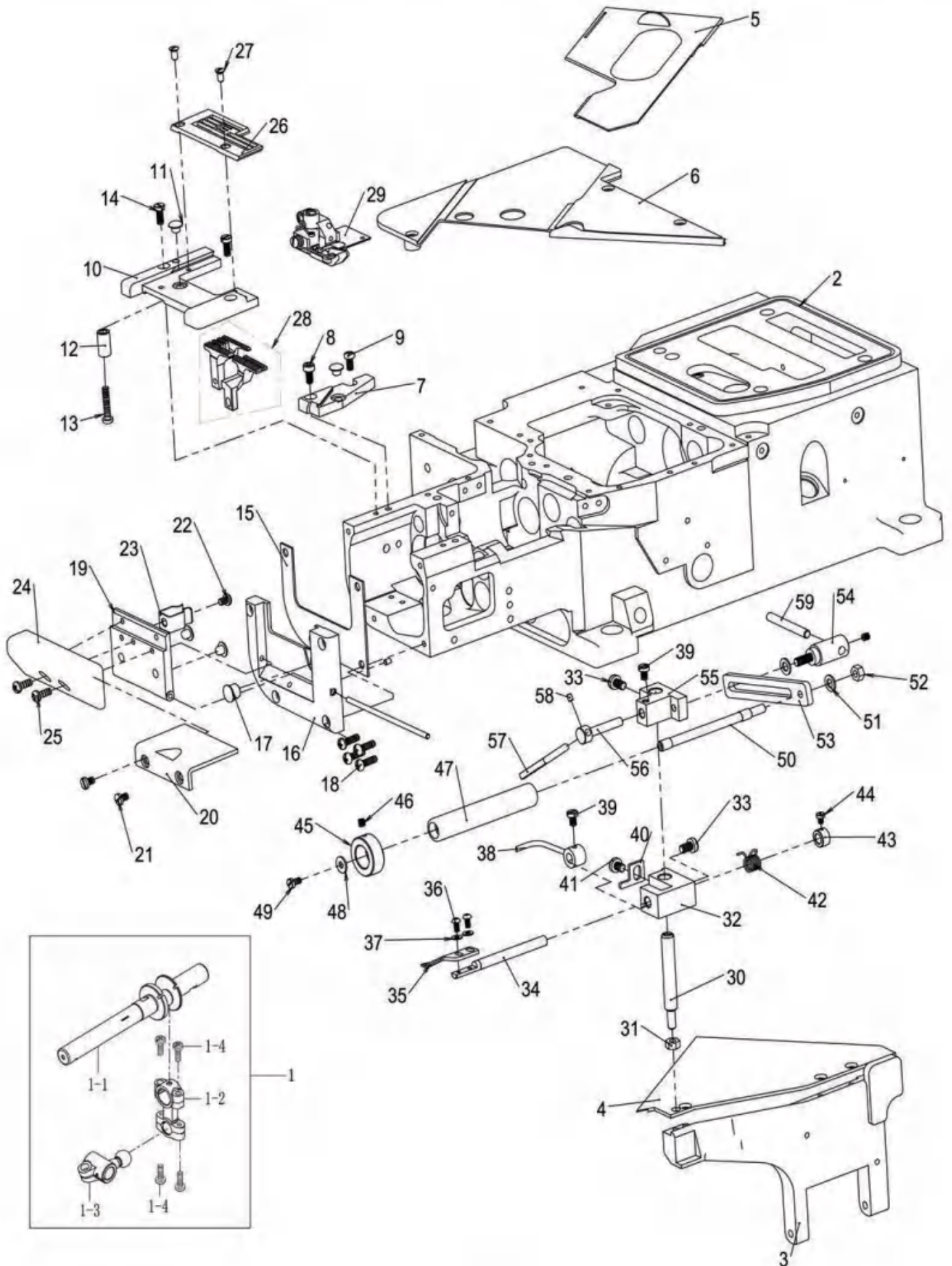


27. 左切刀/Left Cutter

序号	图号Part No	名称Name		数量	备注
		中文	English		
1	355.26-01A	左切刀固定座	Left cutting knife holder	1	
2	01-506001424-1	内六角螺钉/M6×14	Screw	2	
3	16-1040151-5	滚针销	Roller pin	2	
(4)	355.26-01A-01	后套筒	Rear bushing	1	
5	355.26-11A	切刀轴	Cutter shaft	1	
6	355.26-28A	轴固	Axis.	2	
7	01-803000414-1	止付螺钉	Screw	4	
8	355.26-14A	弹簧	Spring	1	
9	355.26-17A	上切刀座	Upper cutting knife bed	1	
10	355.26-31	切刀护罩	Cutter cover	1	
11	01-503000511-1	护照螺钉/M3×5	Screw	1	
12	355.26-18A	上切刀	Upper knife	1	
13	01-404001023-1	螺钉/M4×10	Screw	1	
14	01-604000521-1	螺钉/M4×5	Screw	1	
15	16-1021081-5	固定销	Fix pin	1	
16	355.26-16A	下切刀座	Down knife seat	1	
17	01-404001023-1	螺钉/M4×10	Screw	1	
18	355.26-27A	下切布刀	Down fabric knife	1	
(19)	355.26-16A-01	前套筒	Front bushing	1	
20	01-404001223-1	螺钉/M4×12	Screw	1	
21	355.26-30A	连接销	Connection pin	1	
22	355.26-05	连杆	Connection link	1	
23	311.12-08	油线	Oil thread	1	
24	355.26-06	油线夹	Oil thread clamp	1	
25	01-503000421-1	螺钉/M3×4	Screw	1	
26	355.26-10A	连接销	Connection pin	1	
27	355.26-04A	传动曲柄	Shaft crank	1	
28	01-804000414-1	止付螺钉/M4×4	Screw	1	
29	01-504001224-1	螺钉/M5×12	Screw	1	
30	355.26-08A	连杆	Connection bar	1	
31	01-404001023-1	螺钉/M4×10	Screw	1	
32	05-060301002-1	平垫片	Washer	1	
33	03-606000500-1	螺母	Nut	1	
34	355.26-29A	接油器	Oil receiver	1	
35	01-404000523-1	螺钉/M4×5	Screw	2	
36	355.26-21	防尘盖板	Dust cover	1	
37	01-404000523-1	螺钉/M4×5	Screw	2	
38	355.26-26A	吸风管	Suction pipe	1	
39	355.26-24A	排料管	Discharge pipe	1	
40	01-505001424-1	螺钉M5×14	Screw	1	
41	355.26-36	吸风管固定架	Suction pipe fixing rack	1	
42	05-043080900-1	平垫片	Washer	1	
43	113.01-07	线夹	thread clamp	1	
44	01-404000523-1	螺钉/M4×5	Screw	2	
45	72-KQ2L06-M5	L型气管接头	Pipe joint	1	

28. 右切刀一 (33A-Type)

Right-cut tool一 (33A-Type)

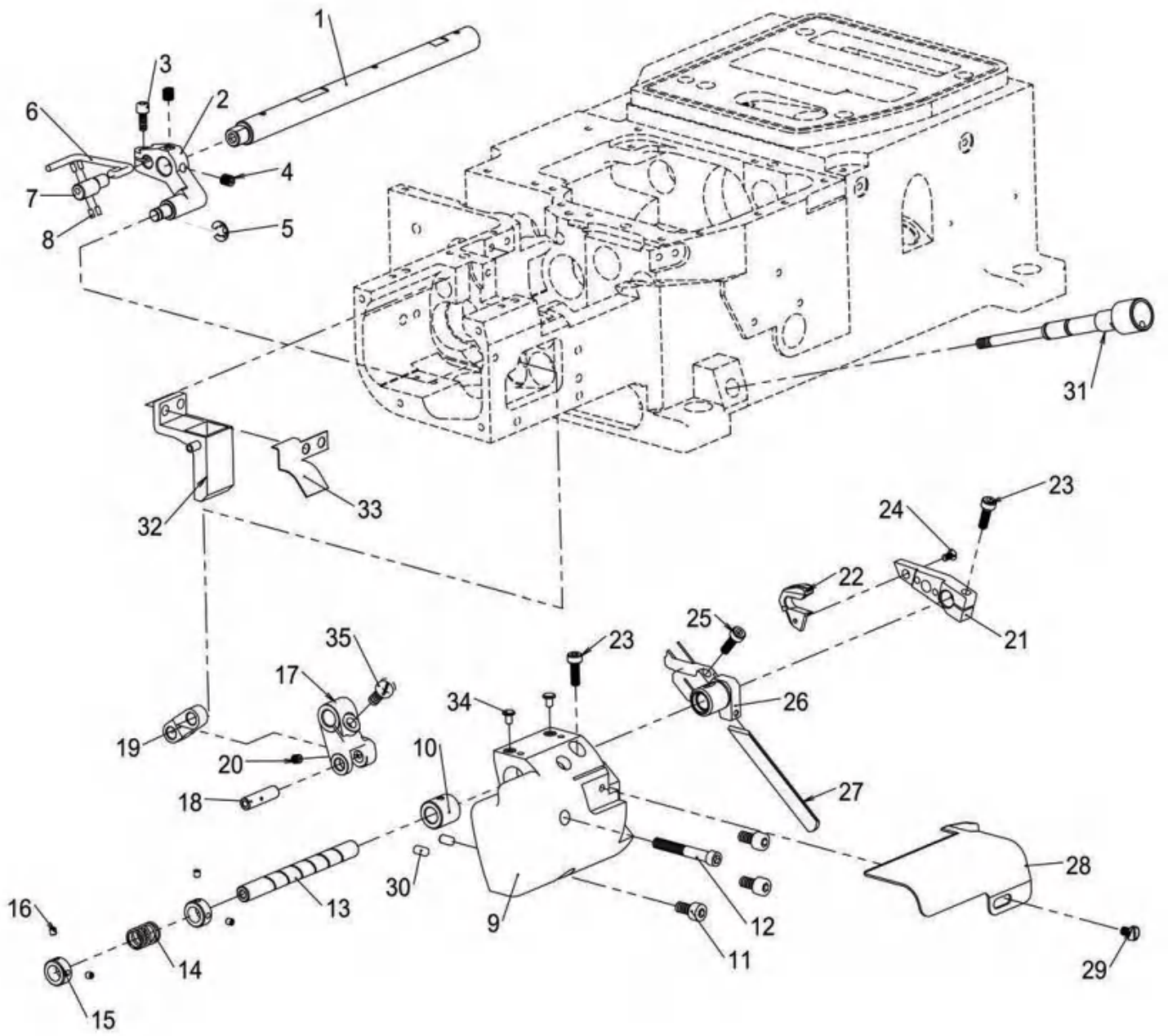


28. 右切刀一 (33A Type) Right-cut tool — (33A Type)

序号	图号	名称		数量	备注
		中文	英文		
1	355.05-02	上曲轴连杆组件	Upper Crank Shaft, C. Set	1	
1-1	355.05-02-01	上曲轴	Upper Crank Shaft	1	
1-2	351.05-02-02	挑线球连杆	Connecting Rod	1	
1-3	351.05-02-03	挑线球曲柄	Crank	1	
1-4	01-404001223-1	十字螺钉/M4×12	Screw	4	
2	356.01-01A	机壳组件	Machine Frame Unit	1	
3	356.02-08A	前罩板	Front Cover	1	
4	356.02-10C	前罩板顶盖	Top Cover	1	
5	356.03-04C	滑块	Slide Plate	1	
6	356.03-05	机壳底座盖板	Machine Bed Cover	1	
7	356.03-07A	滑块左侧挡块	Left Brock	1	
8	01-504000824-1	螺钉	Screw	1	
9	01-404000823-1	螺钉	Screw	1	
10	356.03-08A	针板架	Needle Plate Base	1	
11	22-05004009	防震垫	Cushion Rubber	3	
12	351.03-09	螺钉套管	Screw spacer	1	
13	01-404002023-1	螺钉/M4×20	Screw	1	
14	01-504001021-1	螺钉	Screw	2	
15	356.03-11	侧盖密封垫	Slide Cover Gasket	1	
16	356.03-10	底座侧盖	Bed Side Cover	1	
17	22-08506011	橡胶塞	Rubber Plug	1	
18	01-404001223-1	十字螺钉/M4×12	Screw	4	
19	351.03-13	侧盖辅助板	Auxiliary Side Cover	1	
20	356.03-12	缝台	Sewing Corve	1	
21	01-604000521-1	螺钉/M4×5	Screw	2	
22	01-404000523-1	螺钉/M4×5	Screw	1	
23	351.03-15	固定卡簧	Flat Spring	1	
24	351.03-13-02	辅助缝台	Auxiliary Sewing Cover	1	
25	01-404001023-1	螺钉/M4×10	Screw	2	
26	356.06-19A-356	针板	Needle Plate	1	
27	355.06-20A	针板螺钉	Screw	2	
28	356.09-35A-00	主送布牙	Main Feed Dor	1	
29	356.11-15-356	压脚组件	Presser Foot, C. Set	1	
30	356.27-01	螺栓/M5	Screw	1	
31	03-605000400-1	螺母/M5	Nut	1	
32	356.27-02	送料器托架	Blade Guide Bracket	1	
33	01-505000821-1	螺钉/M5×8	Screw	2	
34	356.27-03	送料板传动轴	Blade Device Shaft	1	
35	356.27-04A	送料板	Blade Plate	1	
36	01-303000624-1	螺钉	Screw	2	
37	05-032050700-1	垫片	Washer	2	
38	356.27-05	送料器传动杠杆	Lever Assembly	1	
39	01-504000621-1	螺钉/M4×6	Screw	2	
40	356.27-06	定位片	Stopper	1	
41	01-505000621-1	螺钉/M5×6	Screw	1	
42	356.27-07	扭力弹簧	Spins	1	
43	356.27-08	轴固	Shaft Collar	1	
44	01-503000421-1	螺钉/M3×4	Screw	1	
45	356.27-09	轴固	Shaft Collar	1	
46	01-804000414-1	止付螺钉/M4×4	Screw	2	
47	356.27-10	小滚轮	Small Roller	1	
48	05-040101001-3	垫片	Washer	1	
49	01-535000621-1	螺钉/M3.5×6	Screw	1	
50	356.27-11	小滚轮轴	Small Roller Shaft	1	
51	05-056101000-4	垫片	Washer	2	
52	03-605000400-1	螺母/M5	Nut	1	
53	356.27-12	小滚轮调节托架	Small Roller Adjusting Brack	1	
54	356.27-13	紧固扳手	Clamp Lever	1	
55	356.27-14	挡布杆托架	Elastic Guide Bracket	1	
56	356.27-15	挡布杆固定销	Elastic Guide Holder	1	
57	356.27-16	挡布杆	Elastic Guide	1	
58	01-803000314-1	止付螺钉/M3×3	Screw	1	
59	356.27-17	销	Pin	1	

29. 右切刀二 (33A-Type)

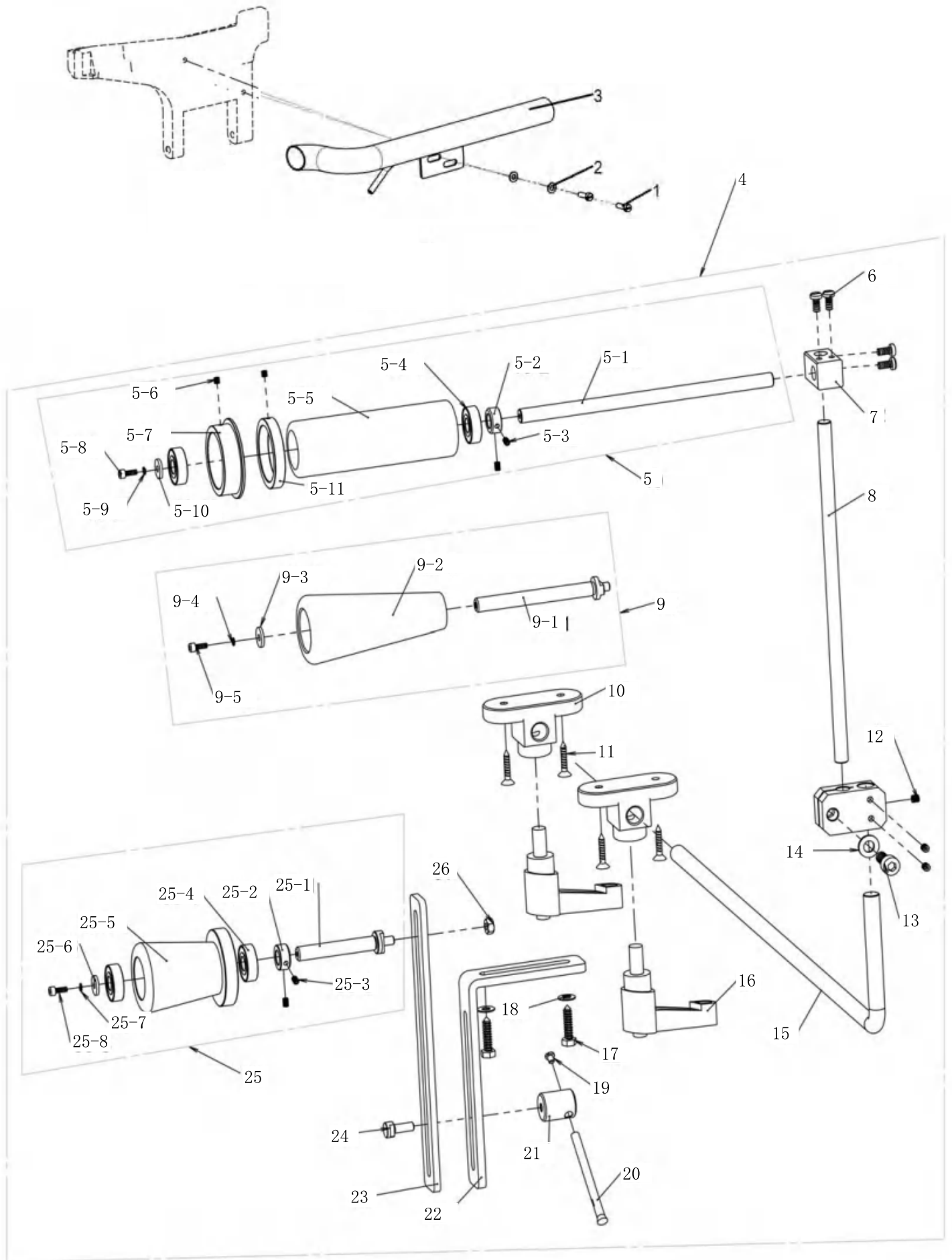
Right-cut tool二 (33A-Type)



29. 右切刀二 (33A_Type) Right-cut tool二 (33A_Type)

序号	图号	名	称	数量	备注
		中文	英文		
1	355.25-02	送料摆动轴	Feed Rocker Shaft	1	
2	356.28-01A	摆动轴曲柄	Rocker Shaft	1	
3	01-504001024-1	窝头螺钉/M4×10	Screw	1	
4	01-805000514-1	止付螺钉/M5×5	Screw	3	
5	06-0500810-1	卡簧	Ring	1	
6	351.09-33	油线	Oil Wick	1	
7	355.25-04	偏心销	Eccentric Pin	1	
8	351.09-04	油毡	Oil Felt	4	
9	356.28-04A	切刀固定座	Knife Holder Bracket	1	
10	356.28-05A	套筒	Bushing	1	
11	01-505001224-1	窝头螺钉/M5×12	Screw	3	
12	01-504003524-1	窝头螺钉	Screw	1	
13	356.28-07A	轴	Shaft	1	
14	355.26-14A	扭簧	Spring	1	
15	355.26-28A	轴固	Shaft Collar	2	
16	01-803000314-1	止付螺钉	Screw	4	
17	356.28-08A	曲柄	Crank	1	
18	356.28-09C	销	Pin	1	
19	356.28-10A	连杆	Crank Link	1	
20	01-804000414-1	螺钉M4×4	Screw	1	
21	356.28-13A	上切刀座	Upper Knife Holder	1	
22	356.28-14A	上切刀	Upper Knife	1	
23	01-504001224-1	螺钉M4×12	Screw	2	
24	01-103000621-1	沉头螺钉	Screw	1	
25	01-504001224-1	窝头螺钉	Screw	1	
26	356.28-15A	下切刀座	Lower Knife Holder	1	
27	356.28-16A	下切刀	Lower Knife	1	
28	356.28-19A	挡布板	Fabric Guide	1	
29	01-604000521-1	螺钉/M4×5	Screw	1	
30	16-1040071-5	滚针销	Pin	2	
31	351.08-22A	送料调节螺杆	Regulation Screw	1	
32	351.18-01	机针硅油盒	Silcone Oil Reversvoil	1	
33	351.18-03	遮油盖	Cover	1	
34	22-03205006	防震塞	Cushions Rubber	2	
35	01-505001021-1	一字槽圆柱头螺钉	Screw	2	

30. 右切刀三 (33A-Type) Right-cut tool (33A-Type)

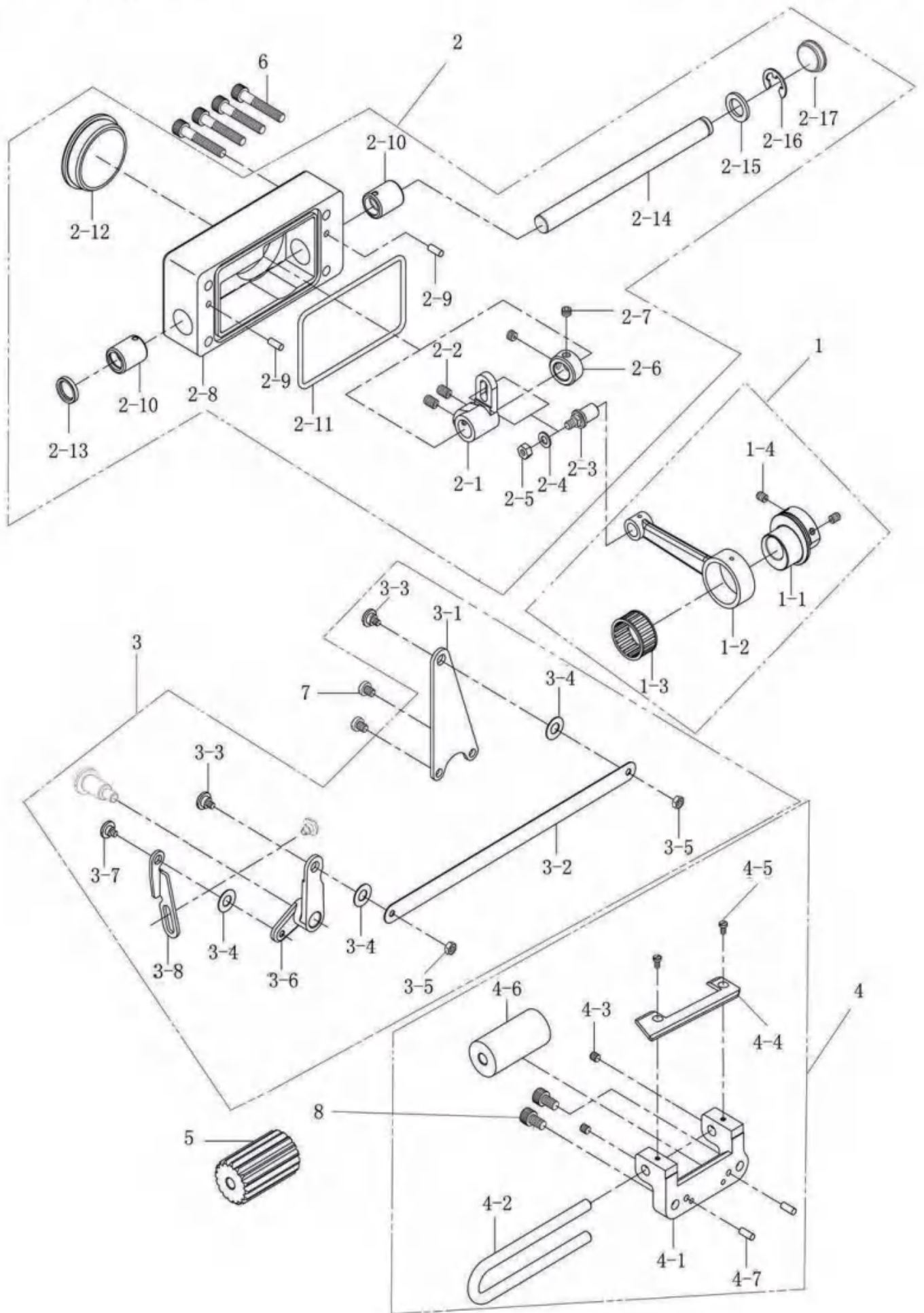


30. 右切刀三 (33A_Type) Right-cut tool 三 (33A_Type)

序号	图号	名称		数量	备注
		中文	英文		
1	01-504001221-1	螺钉/M4×12	Screw	2	
2	05-043080900-3	感圈	Washer	2	
3	356. 29-02D-00	吸风管	Pipe Device	1	
4	356. 29-06-00	撑开架组件	Roller Set	1	
5	356. 29-09-06	滚轮	Roller Asm	1	
5 - 1	356. 29-06-06-01	支架	Holder	1	
5 - 2	311. 14-07G	轴固	Shaft Collar	1	
5 - 3	01-804000614-1	螺钉	Screw	2	
5 - 4	14-6000-2Z	滚针轴承	Needle Rearing	2	
5 - 5	356-29-06-06-02	滚轮	Roller Asm	1	
5 - 6	01-804000414-1	螺钉M4×4	Screw	2	
5 - 7	356-29-06-06-04	松紧带道槽	Elastic Tane Guide	1	
5 - 8	01-504001024-1	内六一螺钉	Screw	1	
5 - 9	07-0421111-1	弹性垫片	Spring Washer	1	
5 - 10	05-046201453-5	垫片	Washer	1	
5 - 11	356-29-06-06-04	滚轮固定环	Col lar	1	
6	01-505001021-1	螺钉	Screw	4	
7	356. 29-06-08	连接块	Connecting Block	1	
8	356. 29-06-04	支架	Holder Bracket	1	
9	356. 29-06-14	滚轮	Roller Asm	1	
9 - 1	356. 29-06-14-02	轴	Shaft	1	
9 - 2	356. 29-06-14-01	滚轮	Roller Asm	1	
9 - 3	05-046201453-5	垫片	Washer	1	
9 - 4	07-0421111-1	弹性垫片	Spring Washer	1	
9 - 5	01-504001024-1	内六角螺钉	Screw	1	
10	356. 29-06-12	支架座	Holder Bracket Seat	2	
11	21-2400252-5	木螺钉	Bearing	4	
12	01-805000514-1	螺钉	Screw	3	
13	01-508002024-1	螺钉	Screw	1	
14	05-084164600-4	垫片	Screw	1	
15	356. 29-06-03	上滚轮支撑架	Holder Bracket	1	
16	356. 29-06-12-02	固定板手	Look Lever	2	
17	21-7602502-4	木螺钉	Wlld Screw	2	
18	05-063101201-1	垫片	Washer	2	
19	01-604000512-1	螺钉	Screw	1	
20	356. 29-06-10	柄	Handle	1	
21	356. 29-06-09	固定螺母	Nut	1	
22	356. 29-06-01	滚轮臂	Roller Hoider Arm	1	
23	356. 29-06-02	滚轮臂	Roller Holder Arm	1	
24	356. 29-06-11	固定螺钉	Screw	1	
25	356. 29-06-05	滚轮	Roller Asm	1	
25 - 1	356. 29-06-05-02	轴	Shaft	1	
25 - 2	311. 14-07G	轴固	Shaft Collar	1	
25 - 3	01-804000614-1	螺钉	Screw	2	
25 - 4	14-6000-2Z	滚针轴承	Needle Bearinsf	2	
25 - 5	356. 29-06-05-01	滚轮	Roller Asm	1	
25 - 6	05-046201453-5	垫片	Washer	1	
25 - 7	07-0421111-1	弹性垫片	Soring Washer	1	
25 - 8	01-504001024-1	内六角螺钉	Screw	1	
26	03-606000480-1	螺母	Nut	1	

31. RP装置 (一)

RP Device (一)



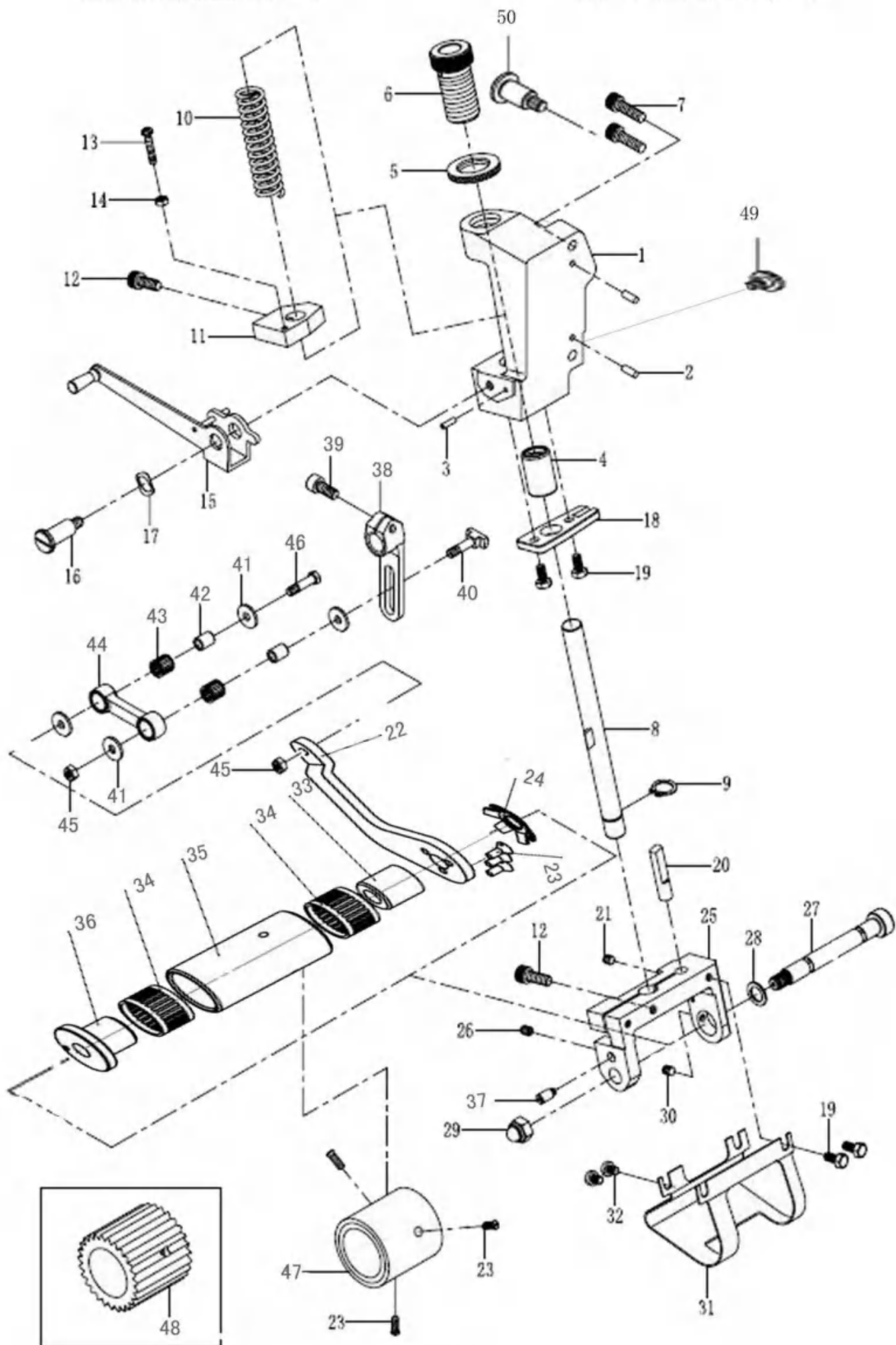
31. RP装置(一)

RP Device(一)

序号	图号	名称		数量 Q-ty	备注
		中文	Name		
1	351.29-01-00	偏心轮组件	Electronic wheel c.set	1	
1-1	351.29-01	偏心轮	Electronic wheel	1	
1-2	351.29-02	偏心轮连杆	Connecting rod	1	
1-3	14-K242813	滚针轴承	Roller bearing	1	
1-4	01-805000614-1	止付螺钉/M5×6	Screw	2	
2	351.29-03-00	曲柄组件	Crankshaft, c.set	1	
2-1	351.29-03	曲柄	crank	1	
2-2	01-806750814-1	止付螺钉/M6×0.75×8	Screw	2	
2-3	311.12-14	调节曲柄销	Adjusting crank pin	1	
2-4	05-053101001-5	垫片	Washer	1	
2-5	03-605000400-1	螺母	Nut	1	
2-6	201.05-05	轴固	Axis.	1	
2-7	01-804000414-1	止付螺钉	Screw	2	
2-8	351.29-05	上滚轮传动轴托架	Upper roller shaft bracket	1	
2-9	16-1040101-5	滚针销	Roller pin	4	
2-10	201.05-07	套筒	Bushing	2	
2-11	351.29-07	托架油封	Carrier oil seal	1	
2-12	22-45609550	橡胶塞	Rubber Plug	1	
2-13	13-11230170	油封	oil seal	1	
2-14	351.29-09	上滚轮传动轴	Upper roller drive shaft	1	
2-15	05-121201903-5	垫片	Washer	1	
2-16	06-1001020-4	开口挡圈	Split washer ;	1	
2-17	22-21605026	油塞	Oil Plug	1	
3	351.29-10-00	上滚轮提升板组件	Upper roller lifting plate c.set	1	
3-1	351.29-10	上滚轮提升板	Upper roller lifting plate	1	
3-2	351.29-11	连接板	Connecting plate	1	
3-3	351.29-12	台阶螺钉	Screw	2	
3-4	351.29-13	防震垫片	Gasket	3	
3-5	03-604000320-1	螺母/M4	Screw	2	
3-6	351.29-14	上滚轮升降杆	Upper roller lifting rod	1	
3-7	201.03-08	台阶螺钉/M4	Screw	2	
3-8	351.29-16	连接板	Connecting plate	1	
4	357.30-17-00-PL	下滚轮托架组件	Lower roller lifting bracket c.set	1	
4-1	357.30-17	下滚轮托架	Lower roller lifting bracket	1	
4-2	351.29-18	导布杆	Cloth guiding bar	1	
4-3	01-805000514-1	止付螺钉/M5×5	Screw	2	
4-4	357.29-19A-PL	下滚轮盖	Down roller cover	1	
4-5	01-603000621-1	螺钉/M3×6	Screw	2	
4-6	351.29-20	下滚轮(光滑轮)	Lower Roller(light pulley)	1	
5	351.29-21	下滚轮(齿轮)	Lower Roller(gear pulley)	1	
6	01-506003524-1	窝头螺钉/M6×35	Screw	4	
7	01-505000621-1	螺钉/M5×6	Screw	2	
8	01-506001024-1	窝头螺钉/M6×10	Screw	2	

32. RP装置 (二)

RP Denice(二)



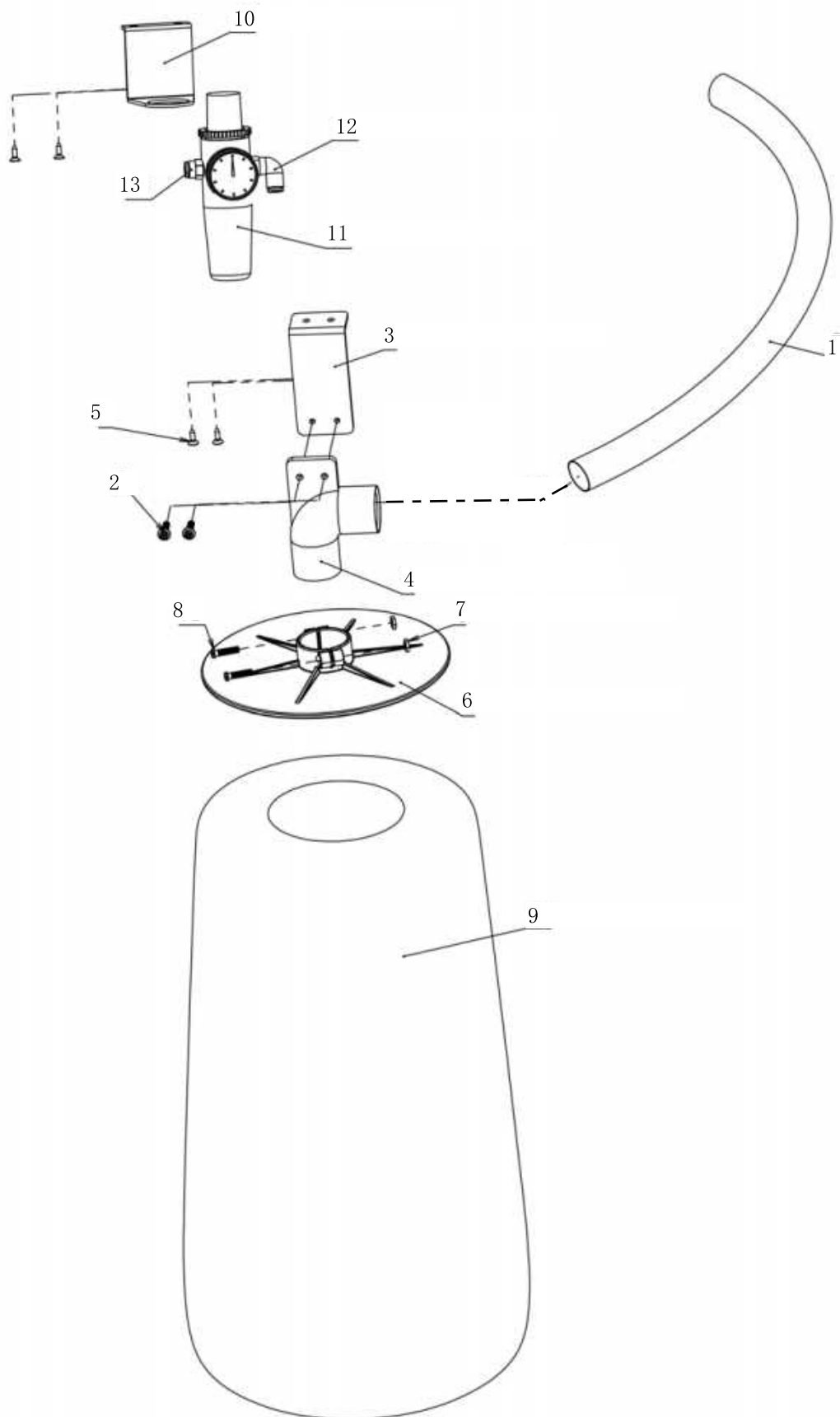
32. RP装置(二)

RP Device(二)

序号	图号	名称		数量	备注
		中文	Name		
1	351.30-01	后拖轮固定座	Rear puller fixing bed	1	
2	16-1040101-5	滚针销	Roller pin	2	
3	15-1301006-1	弹性销	Spring pin	1	
4	311.12-18	套筒	Bushing	1	
5	351.30-02	螺母	Screw	1	
6	351.30-03	调节螺栓	Adjusting bolt	1	
7	01-506002024-1	窝头螺钉/M6×20	Screw	2	
8	351.30-04	后托轮轴	Rear puller axle	1	
9	10-1101015-1	弹性挡圈	Spring patch	1	
10	351.30-05	压缩弹簧	Compression spring	1	
11	351.30-06	后托轮轴托架	Rear roller axle bracket	1	
12	01-506001624-1	窝头螺钉/M6×16	Screw	2	
13	01-404002023-1	十字螺钉/M4×20	Screw	1	
14	03-604000320-1	螺母/M4	Nut	1	
15	351.30-07	上滚轮升降杆组件	Upper roller lifting rod c.set	1	
16	351.30-08	台阶螺钉/M6	Screw	1	
17	08-1050315-1	波形弹性垫片	Elastic wave washer	1	
18	351.30-09	托轮架导向板	Roller frame guide plate	1	
19	01-705001021-1	外六角螺钉/M5×10	Screw	4	
20	351.30-13-08	托轮架导向轴	Roller frame shaft guide	1	
21	01-805000514-1	止付螺钉/M5×5	Screw	1	
22	351.30-13-09-01	离合器驱动板	Clutch drive plate	1	
23	01-104001121-1	沉头螺钉/M4×10	Screw	6	
24	351.30-13-04	张力压簧	Tension spring	1	
25	351.30-13-01	上滚轮托架	Upper roller bracket	1	
26	01-805000614-1	止付螺钉/M5×6	Screw	2	
27	351.30-13-02	离合器传动轴	Clutch shaft	1	
28	05-101111453-5	垫片	Washer	1	
29	351.30-15	螺母/M8	Nut	1	
30	01-805000844-1	止付螺钉/M5×8	Screw	1	
31	351.30-13-06	上滚轮保护盖	Upper roller cover	1	
32	01-505000621-1	螺钉/M5×6	Screw	2	
33	351.30-13-09-02	离合器内衬套I	Clutch lining I	1	
34	14-HF2016	离合器	Clutch	2	
35	351.30-13-10-01	离合器衬套	Clutch lining	1	
36	351.30-13-03	离合器内衬套II	Clutch lining II	1	
37	351.30-13-07	螺钉	Screw	1	
38	351.30-24	上滚轮升降杆组件	Upper roller lifting rod c.set	1	
39	01-506751424-1	螺钉	Screw	1	
40	351.30-25	连杆插销I	Driving bar link I	1	
41	05-053161503-5	垫片	Washer	4	
42	351.30-26	连杆衬套	Connecting rod bushing	2	
43	14-K081110	滚针轴承	Roller bearing	2	
44	351.30-27	连杆	Connecting rod	1	
45	03-605000400-1	螺母/M5	Screw	2	
46	351.30-28	连杆插销II	Driving bar link II	1	
47	351.30-29	上滚轮(光滑轮)	Upper roller (light pulley)	1	
48	351.30-13-03	上滚轮(齿轮)	Upper roller (gear pulley)	1	
49	201.03-08	台螺钉	Screw	1	
50	351.29-15	台阶螺钉	Screw	1	

33.吸风装置

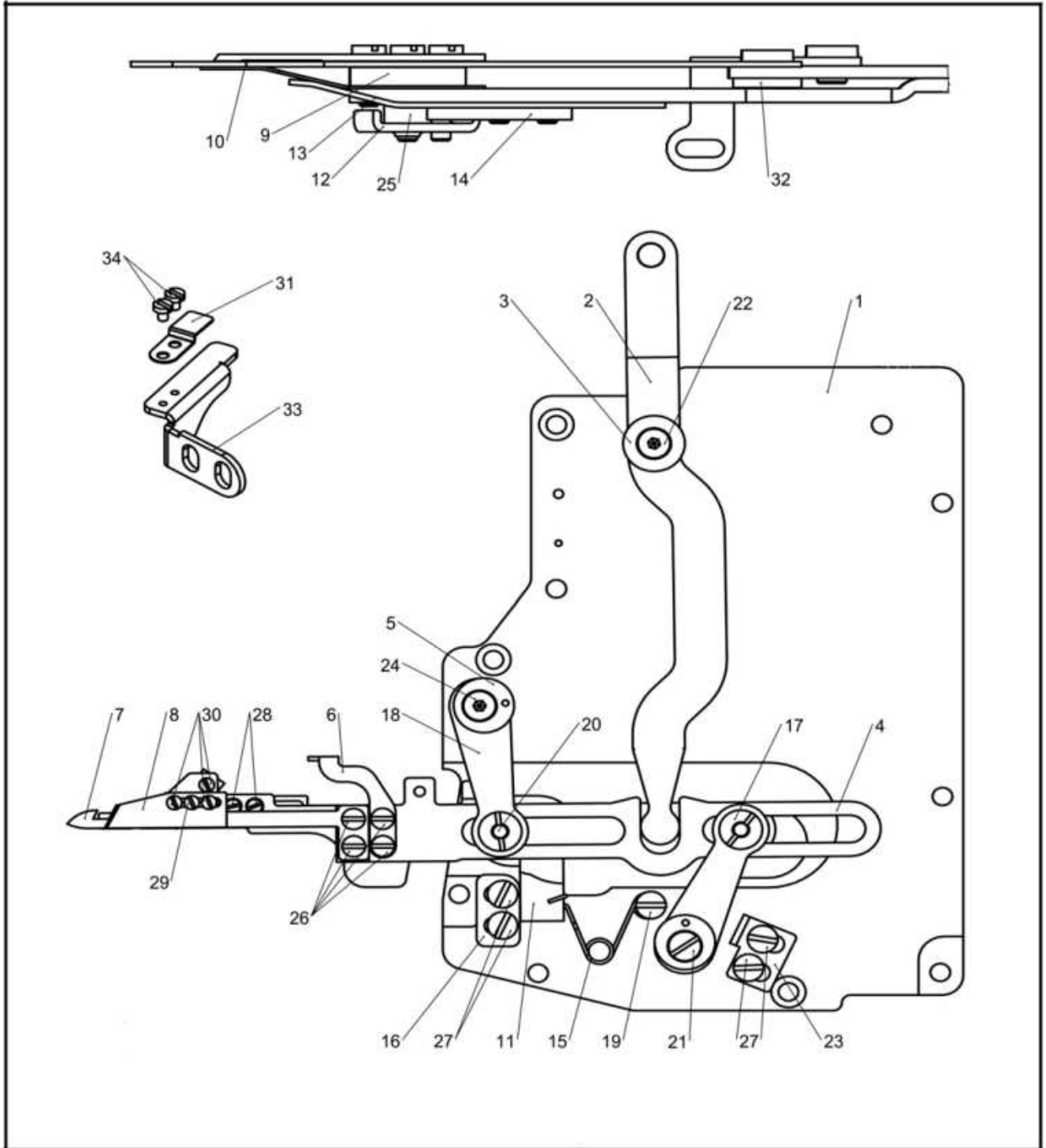
Suction device



33. 吸风装置 Suction device

序号	图号	名称		数量	备注
		中文	英文		
1	355.26-34	螺旋软管	Spiral Hose	1	
2	18-405001422-3	三组合十字盘头螺钉	Screw	2	
3	246. 28-06	气管连接器支撑板	Tracheal Connector Support Boai	1	
4	246. 28-65	吸风孔转接管	Suction Connetor	1	
5	20-4351332-4	十字槽盘头自攻螺钉	Screw	4	
6	210.28-08	吸尘桶上盖	Clearing Barrels upper Cover	1	
7	03-605000450-3	六角螺母	Nut	2	
8	01-405002022-3	十字盘头螺钉M5×20	Screw	2	
9	210.28-10	吸尘袋	Vacuum Cleaner Bags	1	
10	331.18-19-01	气缸安装板	Cylinder mounting plate	1	
11	78-AW20-02BCG-A	分水滤气器	Filter-Regulator	1	
12	72-KQ2L08-02S	快换接头	Quic Change Joint	1	
13	72-KQ2H08-02S	快换接头	Quic Change Joint	1	

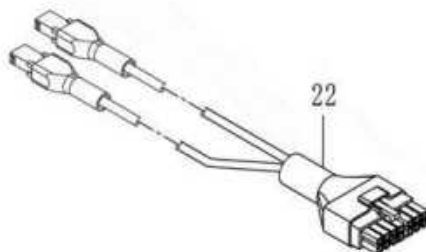
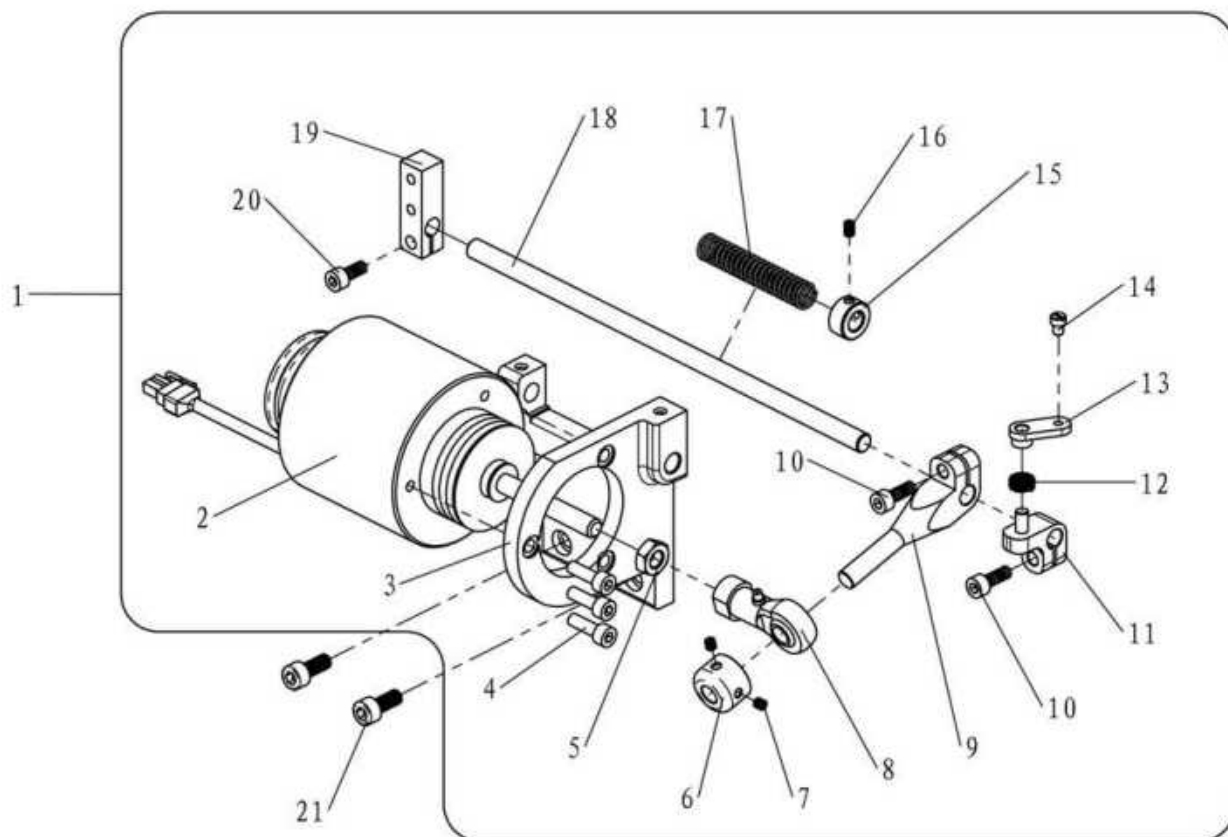
1. UT自动切线机构/Thread Trim Mechanism



1. UT自动切线机构（一）老款下剪线 Thread Trim Mechanism(一)

序号	图号	名称		数量	备注
		中文	英文		
1	381.01-01C	切线底座盖板	Knife Holder Assembly	1	
2	381.01-02A	切刀驱动柄	Cover Plate	1	
3	381.01-03A	定位垫圈	Lower Knife Lever	1	
4	381.01-04C	动刀托架	Washer	1	
5	381.01-05A	偏心块	Lower Knife Holder	2	
6	381.01-06A	打线板	Eccentric Block	1	
7	381.01-07C	下切线动刀	Screw	1	
8	381.01-08C	下剪线定刀	Washer	1	
9	381.01-09A	动刀导向块	Thread Guide	1	
10	381.01-10C	夹线弹片	Screw	1	
11	381.01-11C	定刀托架	Lower Knife	1	
12	381.01-13A	弹簧压力调整片	Upper Knife	1	
13	381.01-14A	夹线压力片	Screw	1	
14	381.01-15A	夹线压力固定座	Screw	1	
15	381.01-16C	弹簧	Lower Knife Guide	1	
16	381.01-17C	刀组限位板	Flat Spring	1	
17	381.01-20A	螺帽	Guide Knife Holder Assembly	2	
18	381.01-21A	切刀导引摇臂	Flat Spring	2	
19	381.01-22C	轴位螺钉	Spacer	1	
20	381.01-23C	外六角螺钉	Flat Spring	2	
21	381.01-24C	一字沉头螺钉	Washer	1	
22	381.01-26C	内六角沉头螺钉	Screw	1	
23	381.01-27A	刀盘角度限位板	Spring	1	
24	381.01-28C	内六角沉头螺钉	Screw	1	
25	381.01-32C	防松垫	Washer	1	
26	01-503000321-1	螺钉	Bracket	4	
27	381.01-35C	螺钉	Guide Plate	4	
28	381.01-34C	螺钉	Screw	2	
29	01-502001021-3	螺钉	Screw	1	
30	01-502000621-1	螺钉	Spring	3	
31	381.01-12C	弹簧片	Block I	1	
32	381.01-19A	动刀安装板	Screw	1	
33	381.01-18C	高度限位板	Nut	1	
34	01-502000321-1	平头一字槽螺钉M2×3	Block II	2	
35	381.01-00C	下剪线刀组件	Washer Assembly	1	

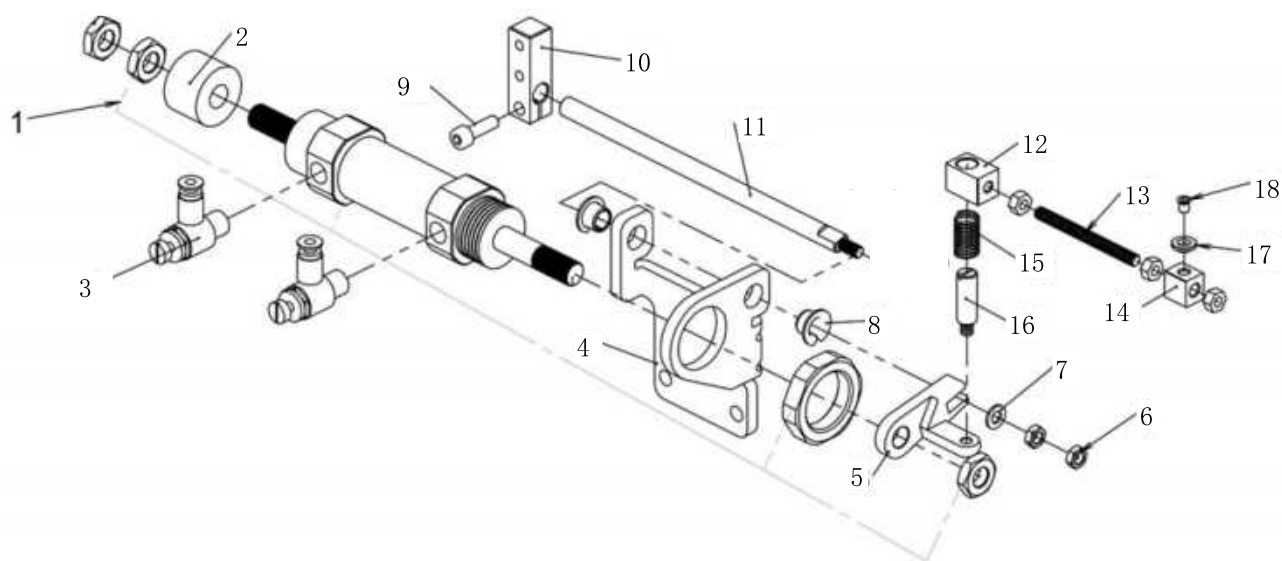
2. 电动下剪线传动机构/Electrical Bottom Thread Trim Driving Mechanism



2. 电动下剪线传动机构/Electrical Bottom Thread Trim Driving Mechanism

1	381.02-01A	电磁铁传动组件	Solenoid Assembly	1	
2	381.02-03	电磁铁	Solenoid	1	
3	381.02-02	电磁铁固定座	Solenoid Bracket	1	
4	01-505001624-1	螺钉	Screw	3	
5	03-608000520-1	螺母	Nut	1	
6	381.02-09A	电磁铁连杆螺帽	Solenoid Connection Cap	1	
7	01-804000414-1	螺钉M4×4	Screw	2	
8	381.02-11A	内螺纹杆端关节轴承	Joint Bearing	1	
9	381.02-07A	电磁铁连杆	Solenoid Connection	1	
10	01-505001424-1	螺钉	Screw	2	
11	381.02-10A	刀组连接头	Connecting Block	1	
12	381.02-13A	压缩弹簧	Spring	1	
13	371.02-12A	转接块	Switch Block	1	
14	381.02-14A	轴螺钉	Screw	1	
15	381.02-06	轴箍	Collar	1	
16	01-804000614-1	螺钉M4×6	Screw	1	
17	381.02-05	压缩弹簧	Spring	1	
18	381.02-04	传动轴	Shaft	1	
19	381.06-01	曲柄块	Crank	1	
20	01-505001224-1	螺钉	Screw	1	
21	01-506001424-1	窝头螺钉/M6×14	Screw	2	
22	381.02-08G	中继线	Relay Cord	1	

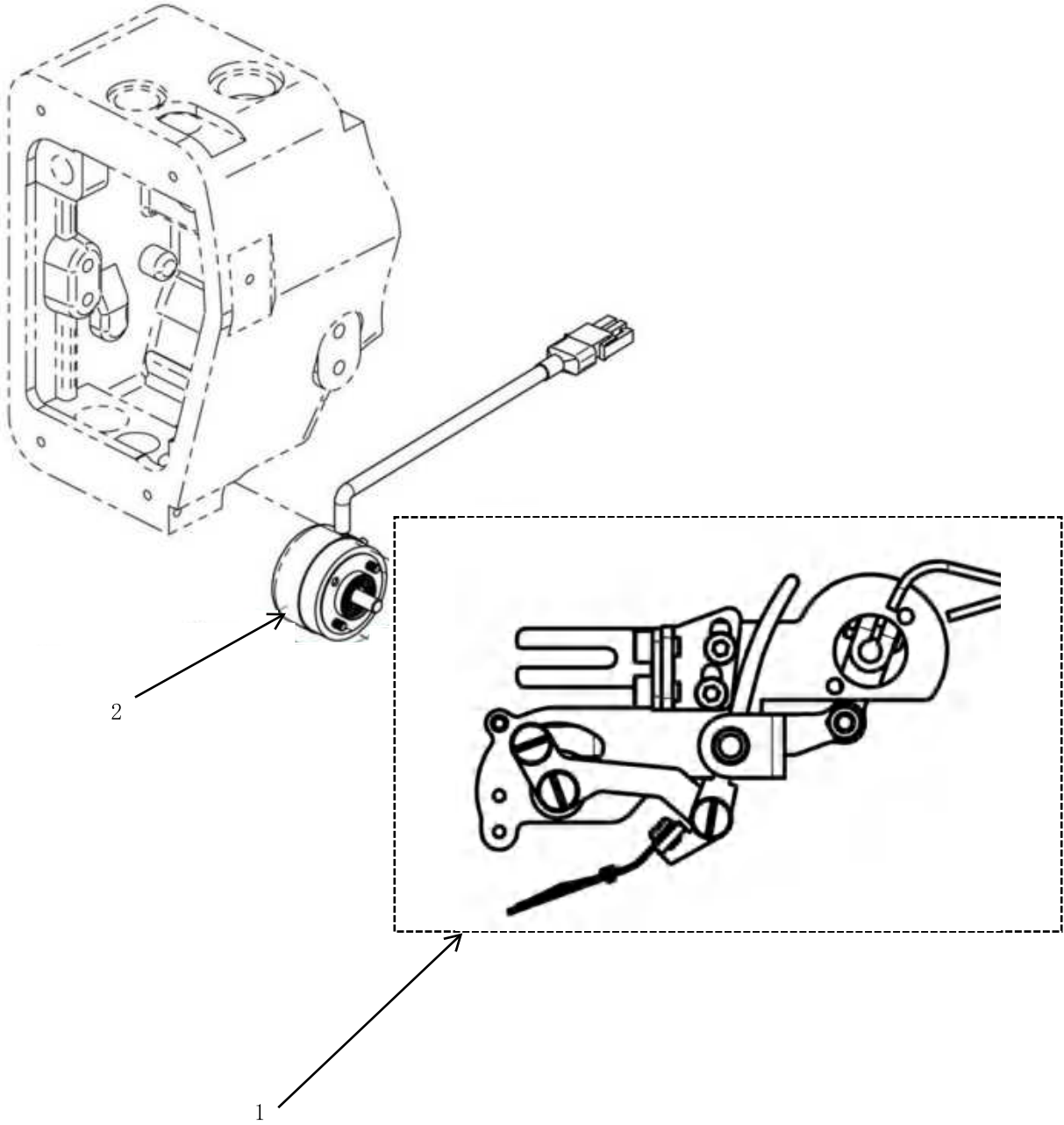
2-1. 气动下剪线传动机构/Pneumatic Bottom Thread Trim Driving Mechanism



2-1. 气动下剪线传动机构/Pneumatic Bottom Thread Trim Driving Mechanism

序号	图号	名称		数量	备注
		中文	英文		
1	71-CM2WB25-20Z (SMC)	25-20可调气缸	Adjustable Cylinder	1	
2	382-02-03-01	缓冲垫	Cushion	1	
3	73-AS2001FG-01-04	速度控制阀	Speed Control Valve	2	
4	382.02-02	气动支架	Air Cylinder Bracket	1	
5	381.02-07	曲柄	Crank	1	
6	03-605000400-1	六角螺母	Nut	5	
7	05-053101001-5	平垫片/5.3×1.0×	Washer	1	
8	113.08-10	自润滑套	Lubricate Bushing	2	
9	01-705001325-1	六角头螺钉	Screw	1	
10	381.06-01	曲柄块	Scrank	1	
11	381.02-04	传动轴	Shaft	1	
12	381.01-22	连接块I	Continuous Block I	1	
13	381.01-23	螺杆	Screw	1	
14	381.01-24	连接块II	Continuous Block II	1	
15	381.01-21	压缩弹簧	Spring	1	
16	381.01-20	螺栓/M5	Screw	1	
17	381.01-03	平垫片	Washer	1	
18	01-104050624-1	内六角槽沉头螺钉	Screw	1	

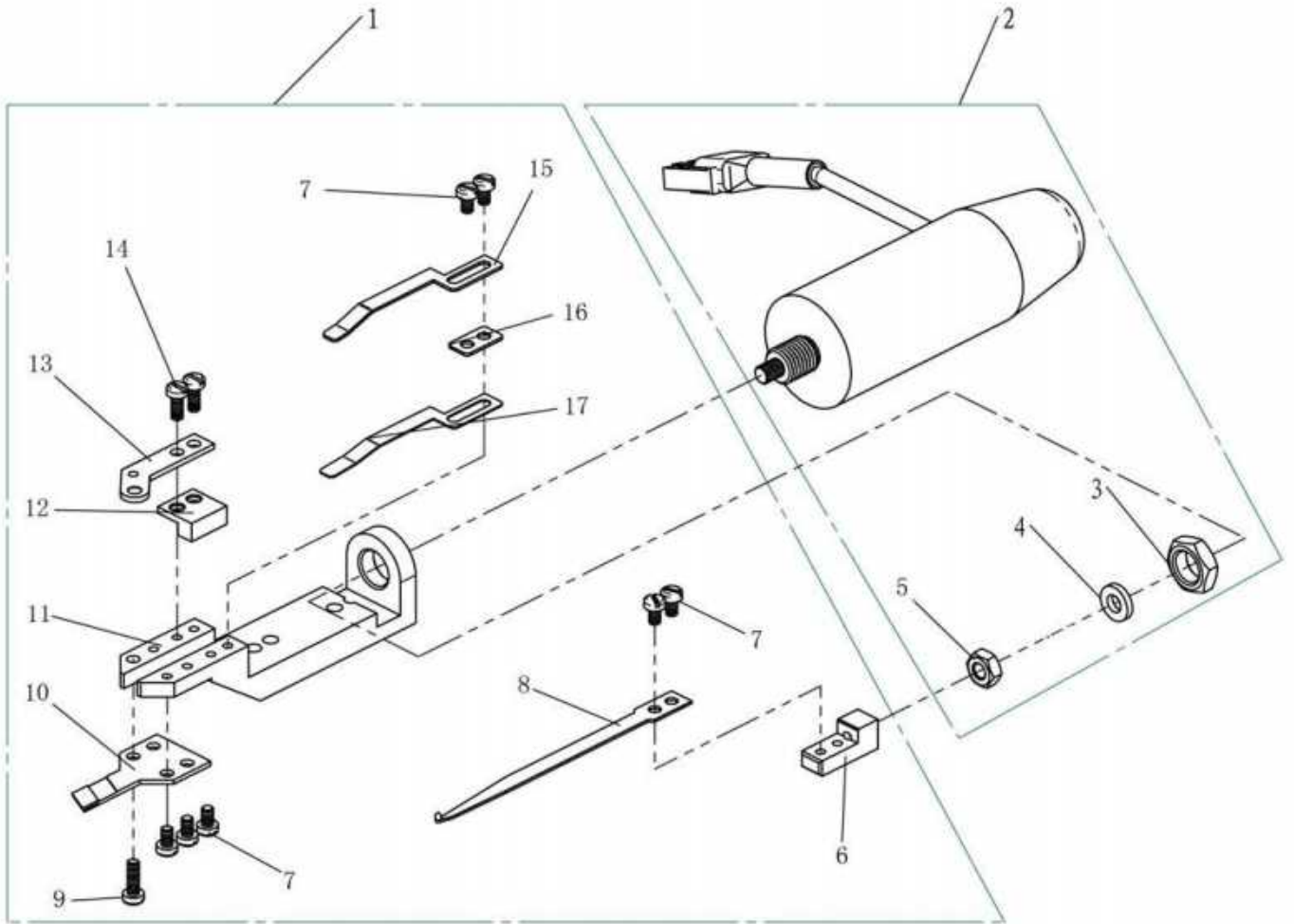
3. 拨线机构/Thread Wiper Mechanism



3. 电动拨线机构 Electrical Thread Wiper Mechanism

序号	图号	名称		数里	备注
		中文	英文		
1	381.03-01-00C	电磁式拨线组件	Thread Wiper Assembly	1	
2	381.03-02	电磁铁	Solenoid	1	

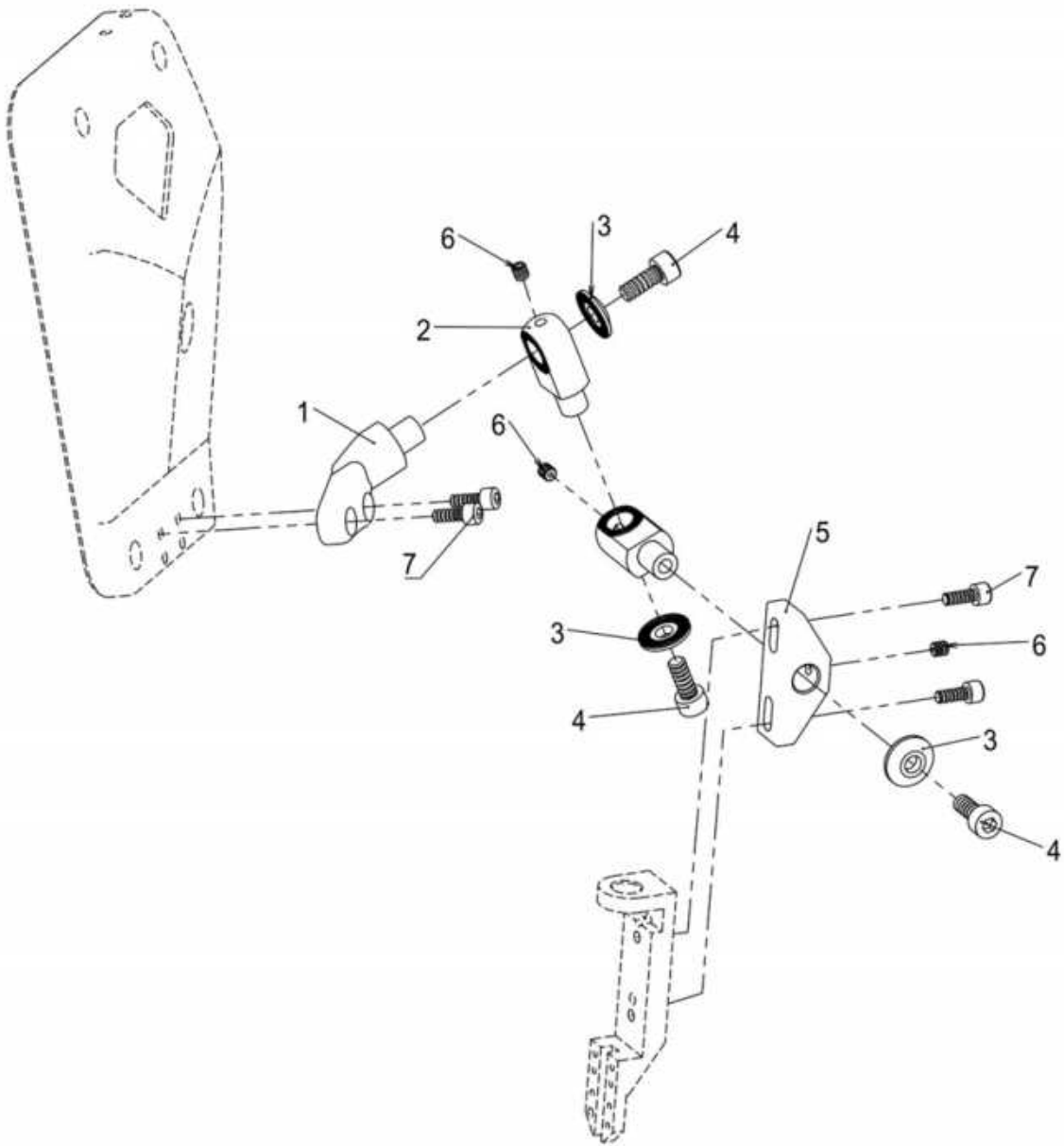
4. 上饰线切线机构/Top Cover Threed Trim Mechanism



4. 电动上饰线切线机构 Electrical Top Cover Thread Trim Mechanism

序号	图号	名称		数量	备注
		中文	英文		
1	381.04-01A	上切线组件	Top Cover Thread Trim Assembly	1	
2	381.04-03A	电磁铁	Solenoid	1	
3	03-608000400-3	螺母/M4	Nut	1	
4	381.04-04	缓冲垫圈	Cushion	1	
5	05-041050801-1	垫圈	Washer	1	
6	03-604000320-1	螺母/M4	Nut	1	
7	381.04-05	上切刀固定台	Upper Knife Holder	1	
8	01-525000421-1	螺钉/M2.5×4	Screw	7	
9	381.04-06A	上切线刀	Upper Knife	1	
10	01-525000821-3	螺钉/M2.5×8	Screw	1	
11	381.04-07A	下切线刀	Lower Knife	1	
12	381.04-02A	上切线刀座	Top Cover Thread Trim Bracket	1	
13	381.04-12	压板	Spacer	1	
14	381.04-13	调压板	Pressure Adjusting Piece	1	
15	01-525000621-1	螺钉/M2.5×6	Screw	2	
16	381.04-09A	夹线压力片	Clamp Spring Pressure	1	
17	381.04-11A	垫片	Washer	1	
18	381.04-08A	夹线弹片	Flat Spring	1	

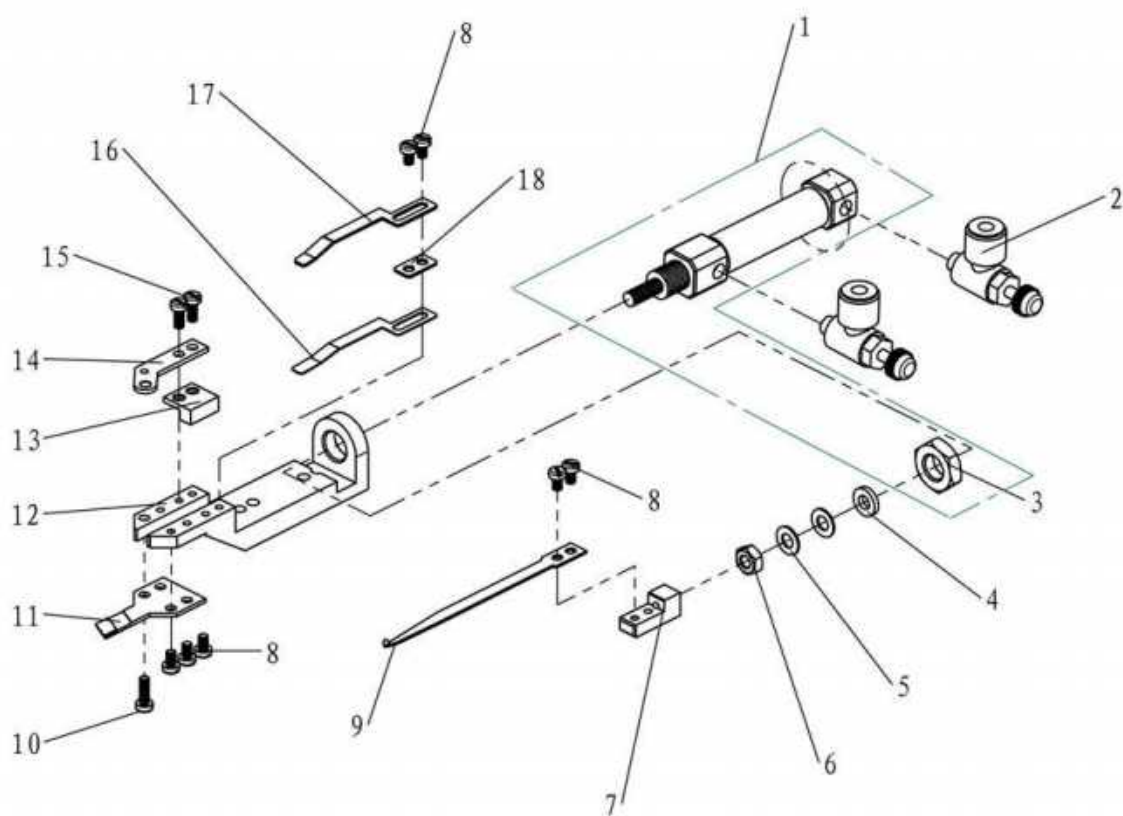
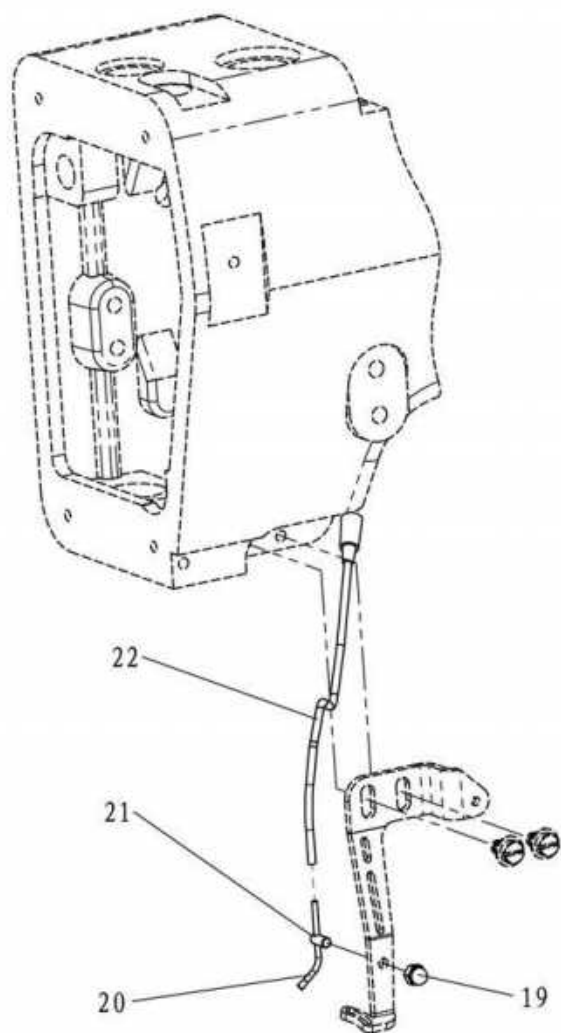
4-1上饰万向接头机构/Top Cover Thread Universal Adapter Mechanism



4-1. 上饰线万向接头机构 Top Cover Thread Universal Adapter Mechanism

序号	图号	名称		数量	备注
		中文	英文		
1	381.04-17	切刀固定架	Trimmer fixed Block	1	
2	381.04-18	转接块	Universal Joint	2	
3	381.04-19	专用垫片	Position Washer	3	
4	01-505001224-3	螺钉	Screw	3	
5	381.04-16	切刀调整架	Cutting Knife Adjusting Rack	1	
6	01-804000414-1	螺钉	Screw	3	
7	01-504001024-1	窝头螺钉/M4×10	Screw	4	

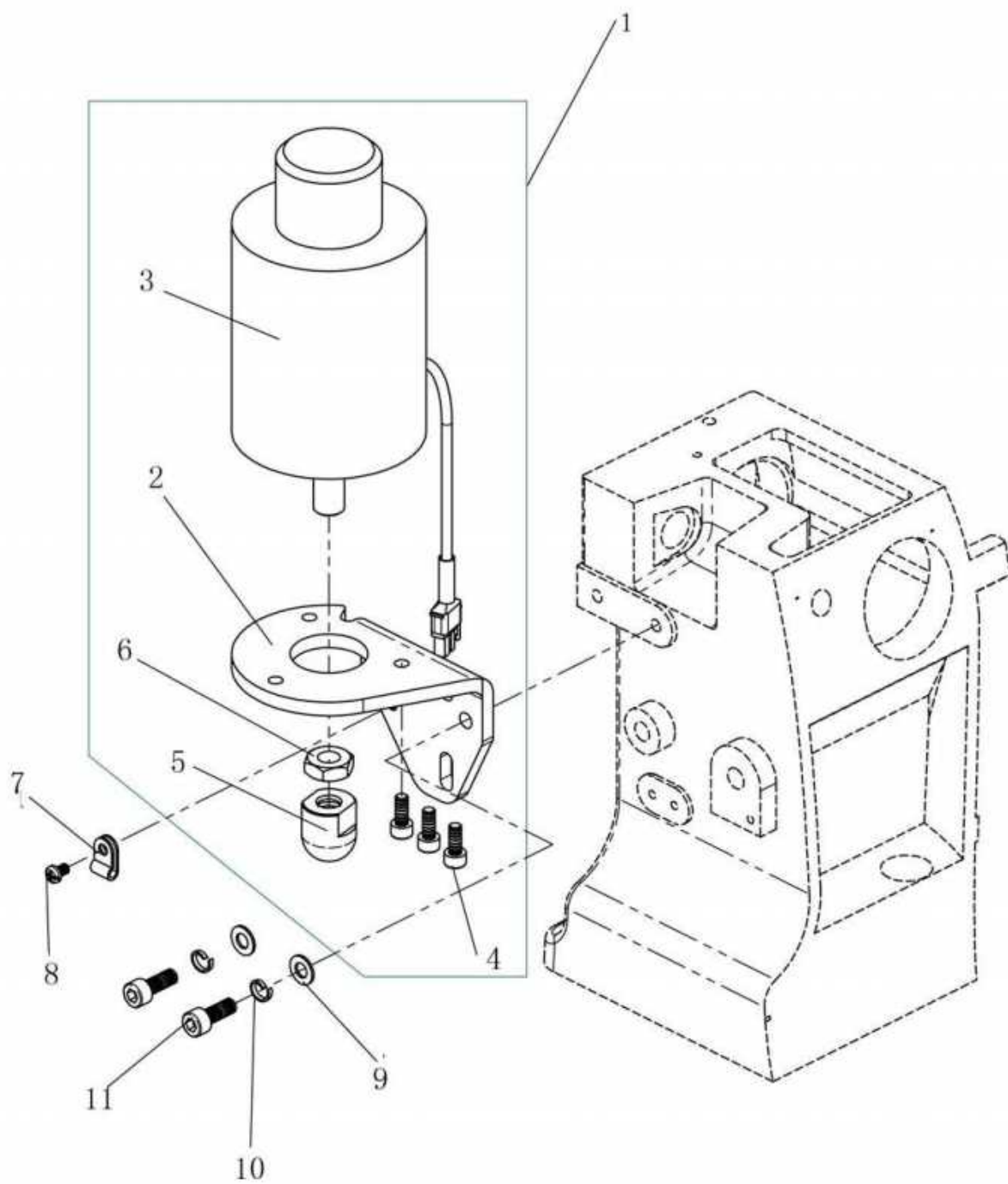
4-2. 气动上吹线及上切线机构(Pneumatic Top Air Wiper And Trimmer Mechanism)



4-2. 气动上吹风及上切线机构 Pneumatic Top Air Wiper And Trimmer Mechanism

序号	图号	名称		数量	备注
		中文	英文		
1	382.04-03	上剪线气缸	Air Cylinder	1	
2	73-AS1201F-M5-04A	调压阀	Air Valver	2	
3	03-608000520-1	螺母/M8	Nut	1	
4	381.04-04	缓冲垫圈	Cushion	1	
5	05-041050801-1	垫圈	Washer	2	
6	03-604000320-1	螺母	Nut	1	
7	381.04-05	上切刀固定台	Upper Knife Holder	1	
8	01-525000421-1	螺钉/M2.5×4	Screw	7	
9	381.04-06A	上切线刀	Upper Knife	1	
10	01-525000821-3	螺钉/M2.5×8	Screw	1	
11	381.04-07A	下切线刀	Lower Knife	1	
12	381.04-02A	上切线刀座	Top Cover Thread Trim Bracket	1	
13	381.04-12	压板	Spacer	1	
14	381.04-13	调压板	Pressure Adjusting Piece	1	
15	01-525000621-1	螺钉/M2.5×6	Screw	2	
16	351.04-08A	夹线弹片	Flat Spring	1	
17	351.04-09A	夹线压力片	Clamp Spring Pressure	1	
18	381.04-11A	垫片	Washer	1	
19	03-603000252-4	盖形螺母	nut	1	
20	382.04-18	吹气管	huff-tube	1	
21	382.04-17	螺钉销	screw pin	1	
22	382.04-16	连接软管	connection hose	1	

5. 电动抬压脚机构/Electrical Foot lifter Mechanism

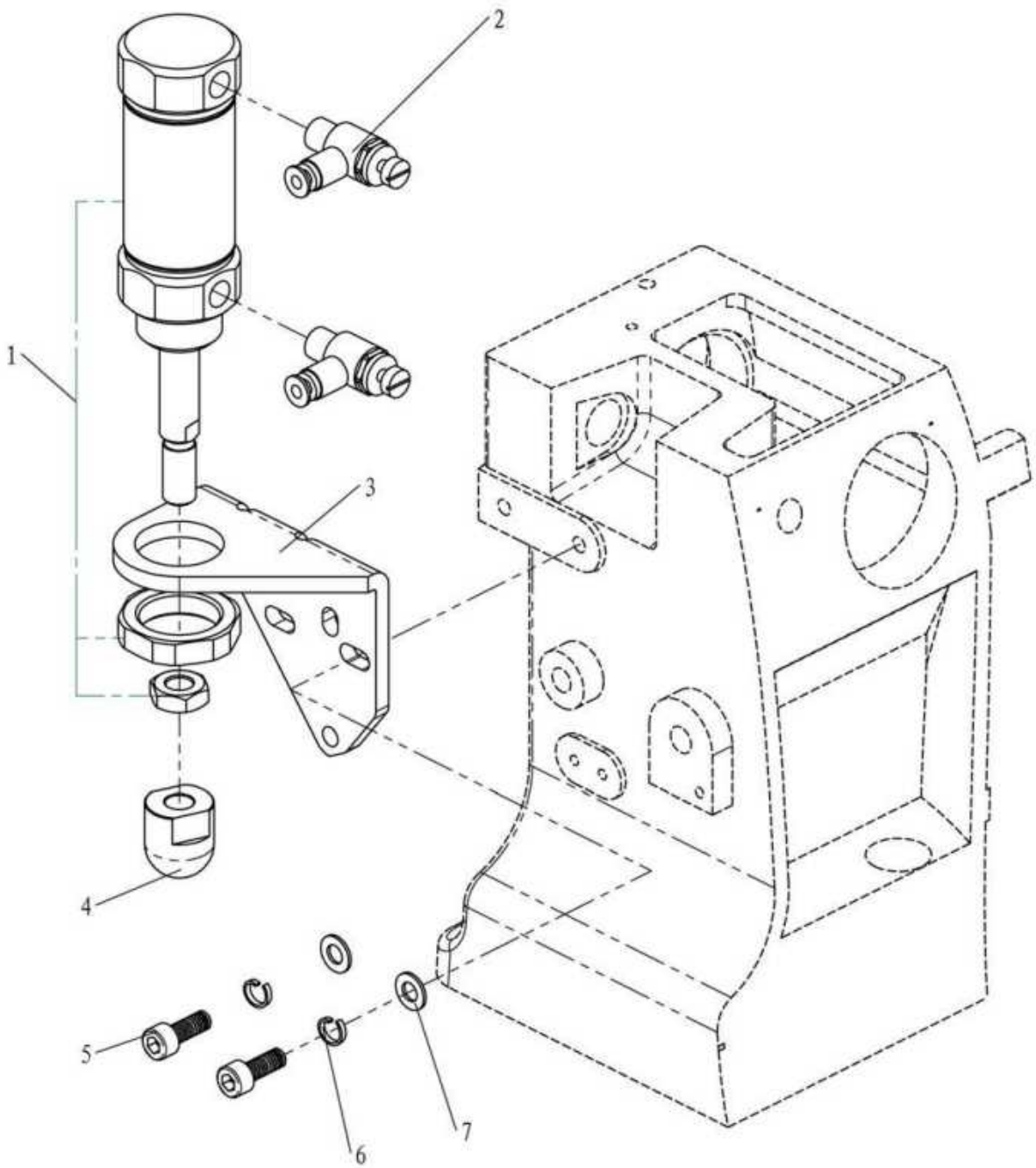


5. 电动抬压脚机构

Electrical Foot lifter Mechanism

序号	图号	名称		数量	备注
		中文	英文		
1	381.05-01	电磁式抬压脚装置组件	Solenoid Foot Lifter Assembly	1	
2	381.05-03	电磁铁	Solenoid	1	
3	381.05-02	电磁铁固定座	Solenoid Bracket	1	
4	03-610000600-3	螺母/M10	Nut	1	
5	381.05-04	推动块	Pushing Block	1	
6	01-505001224-1	窝头螺钉/M5×12	Screw	3	
7	381.03-11	中继线管夹	Cord clip	1	
8	01-404000623-1	螺钉/M4×6	Screw	1	
9	05-063101201-1	垫片	Washer	2	
10	07-0631616-1	弹性垫片	Washer	2	
11	01-506001624-1	窝头螺钉/M6×16	Screw	2	

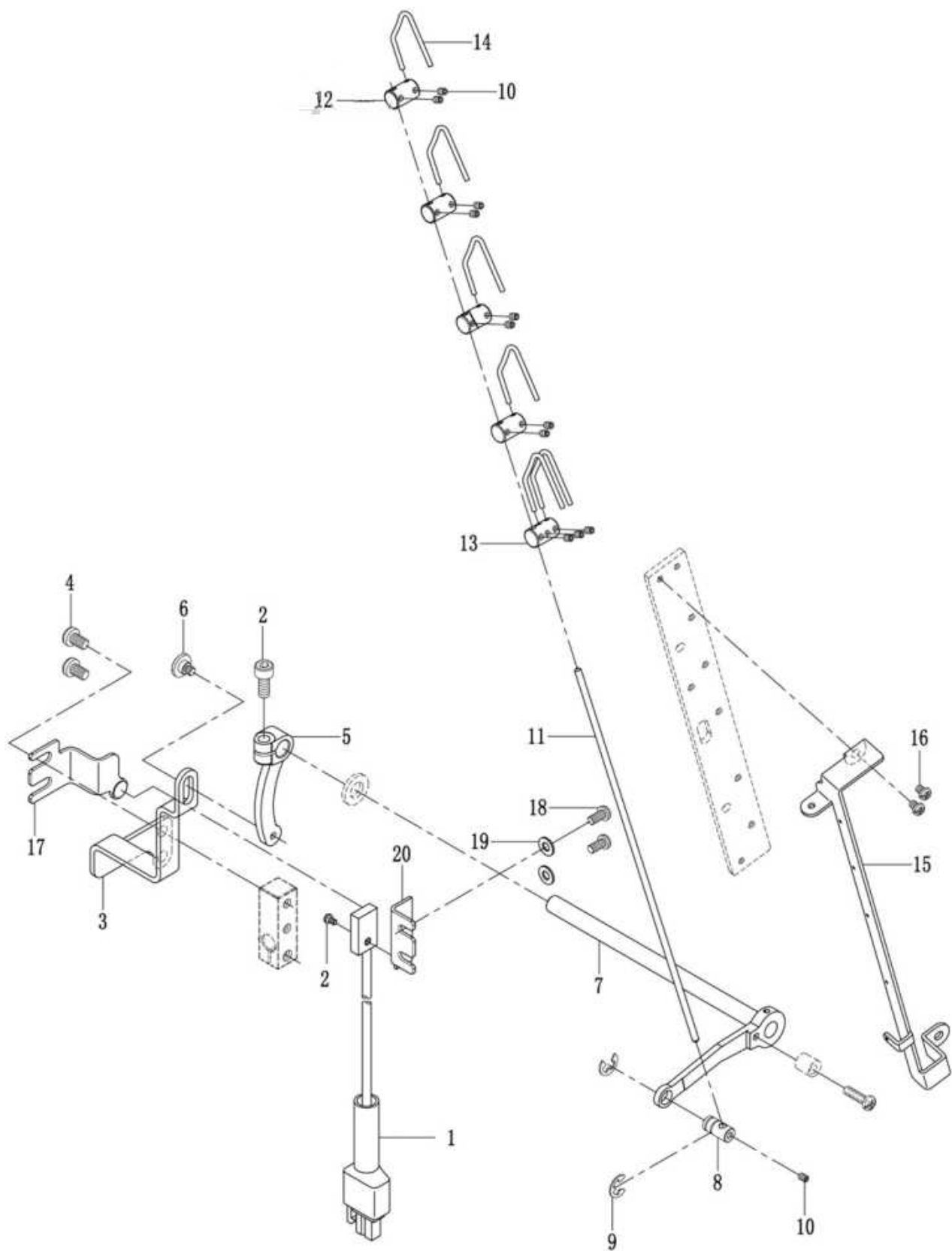
5-1. 气动抬压脚机构/Pneumatic Foot lifter Mechanism



5-1. 气动抬压脚机构/Pneumatic Foot lifter Mechanism

序号	图号	名称		数量	备注
		中文	英文		
1	CM2B32-25Z (SMC)	抬压脚气缸	Air Cylinder	1	
2	73-AS2201FG-01-04	速度控制阀	Speed Control Valve	2	
3	382.05-07	气动抬压脚支架	Air Cylinder Bracket	1	
4	382.05-04	推动块	Pushing Block	1	
5	01-506001624-1	内六角螺钉	Screw	2	
6	07-0631616-1	弹性垫圈	Washer	2	
7	05-063101201-1	垫圈	Washer	2	

6. 自动剪线松线机构/Thread Releaser Mechanism



6. 自动切线松线机构/Thread Releaser Mechanism

序号	图号	名称		数量	备注
		中文	英文		
1	381.06-13	检测器(安全开关)	Detector	1	
2	01-503000821-1	螺钉/M3×8	Screw	1	
3	381.06-02	松线连接板	Link Lever	1	
4	01-505000821-1	螺钉/M5×8	Screw	2	
5	381.06-03	曲柄	Crank	1	
6	201.03-08	台阶螺钉	Screw	1	
7	381.06-04	松线轴组件	Tension Release Shaft, C. Set	1	
8	381.06-05	插销	Pin	1	
9	06-0500611-1	开口挡圈	Ring	2	
10	01-803000314-1	止付螺钉/M3×3	Screw	12	
11	381.06-06	松线杆传动轴	Thread Guide Shaft	1	
12	381.06-07	松线杆固定块 I	Thread Release Holder I	4	
13	381.06-08	松线杆固定块 II	Thread Release Holder II	1	
14	381.06-09	松线杆	Thread Releaser	6	
15	381.06-10	切线用过线板	Thread Guide Plate	1	
16	01-404000523-1	十字螺钉/M4×5	Screw	2	
17	381.06-11	磁缸座组件	Magnet Bracket	1	
18	01-404000823-1	十字螺钉/M4×8	Screw	2	
19	05-043080900-4	垫圈	Washer	2	
20	381.06-12-01	动作检出器座	Detector Bracket	1	



富山IoT



微信公众号



抖音官方号

上海富山精密机械科技有限公司

HIKARI (SHANGHAI) PRECISE MACHINERY SCIENCE AND TECHNOLOGY CO., LTD

邮箱/E-mail: hikari@chinahikari.com

网址/Web: www.chinahikari.com

传真/Fax: (00)86-21-67311311

电话/Tel: (00)86-21-67311111 (转外贸部/ext .Foreign Trade Dept)

上海市金山区朱泾镇工业园区中达路800号

NO.800, ZHONGDA ROAD, ZHUJING INDUSTRIAL ZONE,

JINSHAN DISTRICT, SHANGHAI CHINA



QUANTITY ATTESTATION
ISO9001质量体系认证